

Bolt-down Fuseholders - Fuse Base for Fuse Strips Rated 80V

RoHS



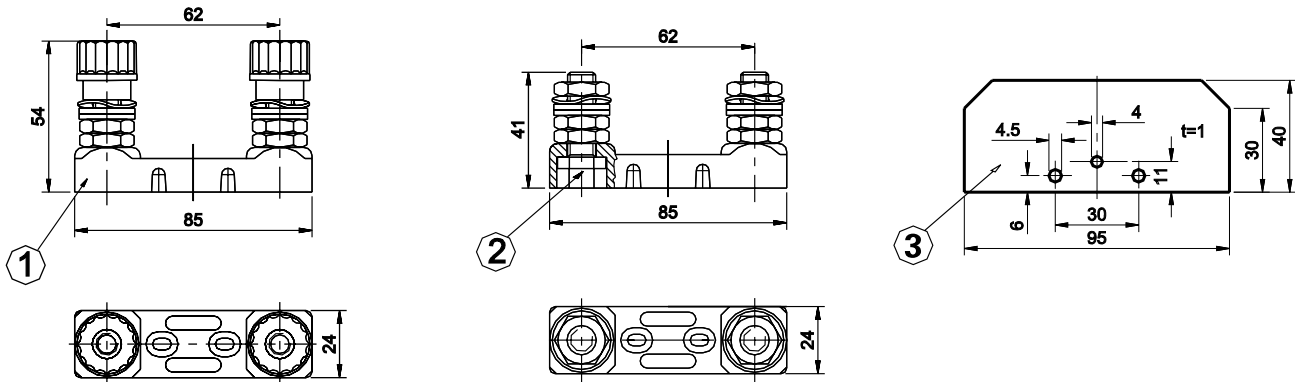
Specifications

- Base:** Insulation material according to DIN 7708/1
Spring washer according ISO 4036
Hexagon nuts according to DIN 439
Washer according to DIN 125
- Conducting materials:** Copper wrought alloy / alliage cuivreux
- Color:** Black / noir
- Packaging unit:** 10 pieces

Fuse base for fuse strips with 62mm spacing. Up to 80V.

Sicherungshalter für Sicherungstreifen mit Stichmaß 62mm, bis 80V.

Dimensions in mm / Maße in mm



Part Number Artikel-Nr.	Description Beschreibung	Contact Temperature Kontakttemperatur
177.5701.0001	1) Fuse base	max. 425 A
177.5731.0001	2) Fuse base	max. 425 A

Corresponding fuse strips see Section "Bolt-down Fuses."

Bolt-down Fuseholders - Fuse Base for Fuse Strips Rated 80V

RoHS



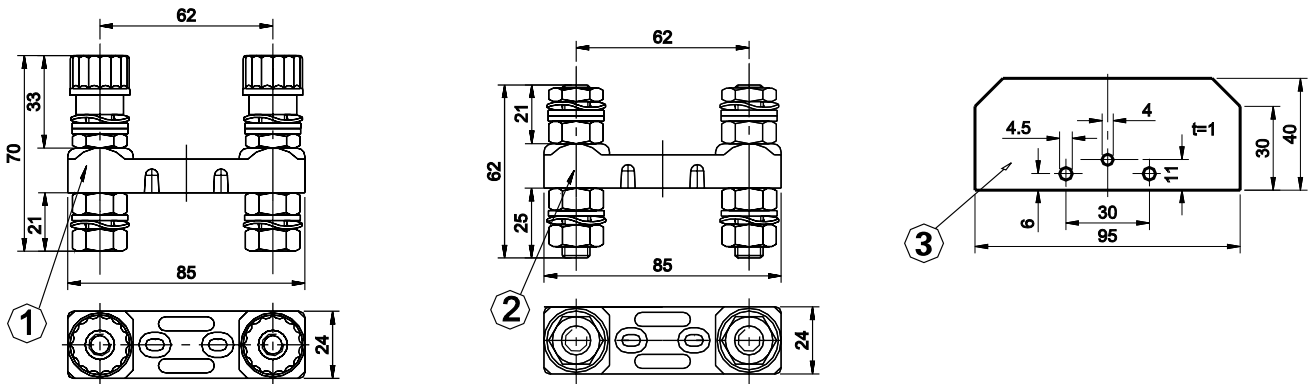
Specifications

Base:	Insulation material according to DIN 7708/1 Spring washer according ISO 4036 Hexagon nuts according to DIN 439 Washer according to DIN 125
Conducting materials:	Copper wrought alloy / alliage cuivreux
Color:	Black / noir
Packaging unit:	10 pieces

Fuse base for fuse strips with 62mm spacing. Up to 80V.

Sicherungshalter für Sicherungsstreifen mit Stichmaß 62mm, bis 80V.

Dimensions in mm / Maße in mm



Part Number Artikel-Nr.	Description Beschreibung	Contact Temperature Kontakttemperatur
177.5702.0001	1) Fuse base	max. 250 A
177.5741.0001	2) Fuse base	max. 250 A

Corresponding fuse strips see Section "Bolt-down Fuses."