

## SN MEGA® FUSE HOLDER

32 Vdc • 500 A • In-line • AssureLatch™ Technology



### Description

The SN-MEGA is a high amperage in-line fuse holder with sealed positive latching technology. The fuse holder base and cover are secured together with AssureLatch™ technology to form a water resistant and ignition protected assembly.

Covers are retained to the base with a built in tether to ensure there are no missing components during servicing. Bases feature thru-hole provisions to ensure that the unit is mounted securely to the application and features a footprint identical to similar fuse holders which allows for change-over from existing unsealed technology.

### Features and Benefits

- Provides high amperage, in-line, main or branch Circuit Protection in harsh or hazardous environments
- Waterproof/sealed fuse compartment provides protection from fuse corrosion
- Ignition protected to SAE J1171 and ISO 8846 for installation in a battery box or on vehicles carrying hazardous loads
- All stainless steel hardware and tin-plated 100% pure copper optimize long-term corrosion protection
- Allows dielectric spray on cable terminals without compromising fuse connections
- Cover retention ensured through integrated tether
- AssureLatch™ technology for worry-free positive latching
- Available with custom pre-loaded fuses

### Specifications Overview

<b>Max Voltage Rating:</b>	32 Vdc
<b>Max Current Rating:</b>	500 A
<b>Studs:</b>	M8x1.25 thread
<b>Recommended Stud Torque:</b>	20 Nm / 15 lb-ft
<b>Temperature Range:</b>	-50 to +125 °C
<b>Ingress Protection:</b>	IP66 / IP6K9K
<b>Humidity:</b>	0-95% RH
<b>Shock:</b>	50 G
<b>Vibration:</b>	8 G
<b>Dimensions:</b>	130 x 47.4 x 40.7 mm

### Recommended Fuses

- Littelfuse series: MEGA®
- Competitor cross-reference equivalents

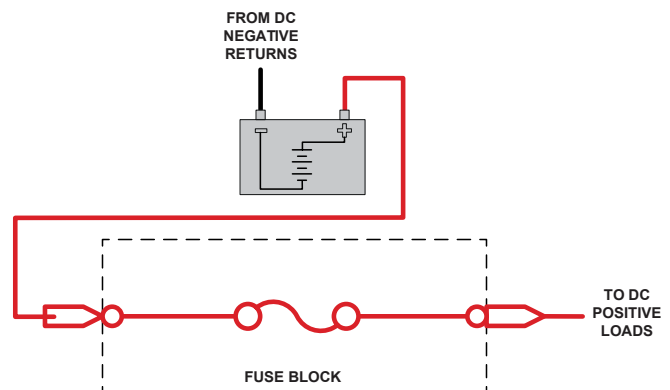
### Web Resources

Download 2D outline and additional technical resources at: [littelfuse.com/sn-mega](http://littelfuse.com/sn-mega)

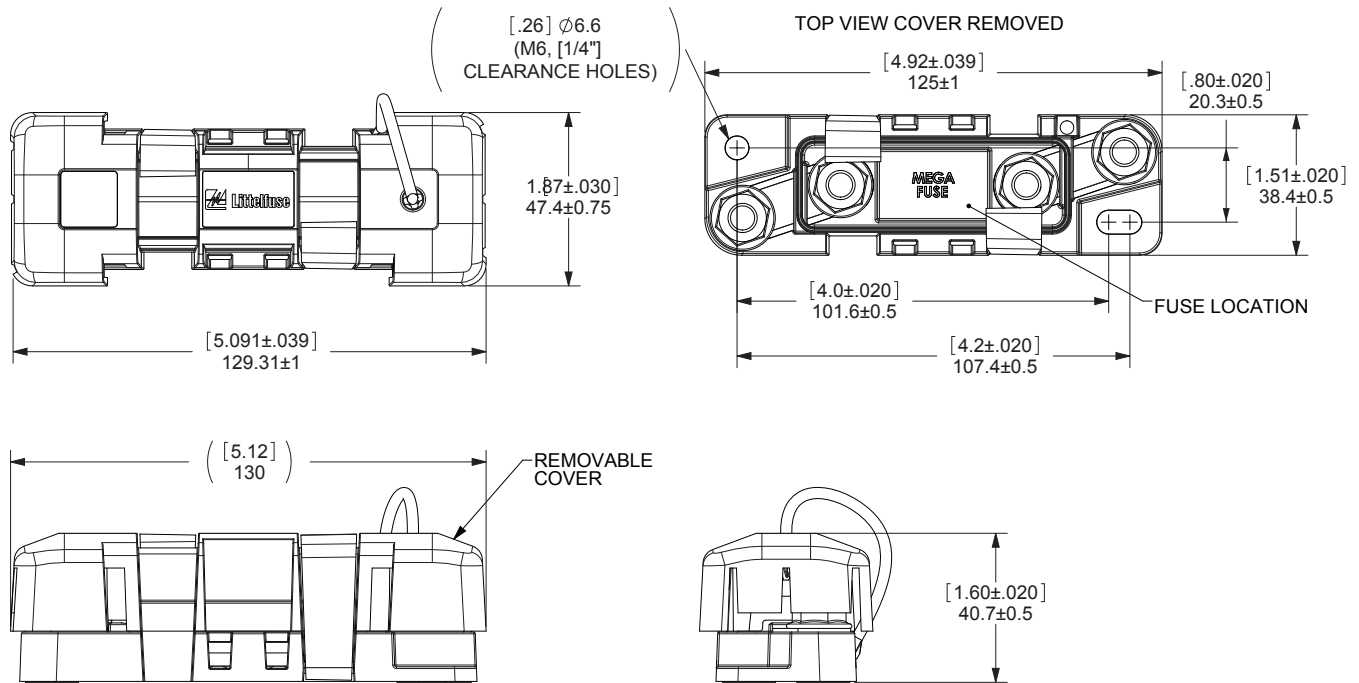
### Ordering Information

PART NUMBER	DESCRIPTION
880014	SN MEGA Fuse Holder Assembly

### Configuration



## Dimensions in millimeters



Visit [Littelfuse.com](http://Littelfuse.com) for the most up-to-date product information. Littelfuse reserves the right to make product changes, without notice. Material in this document is as accurate as known at the time of publication.