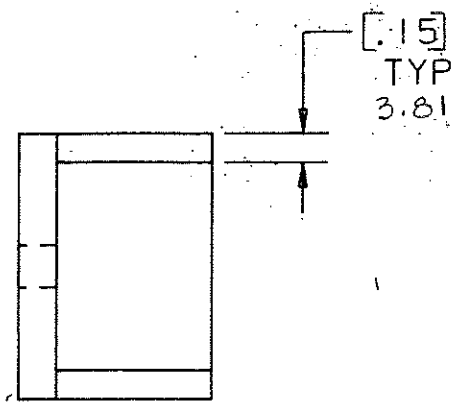
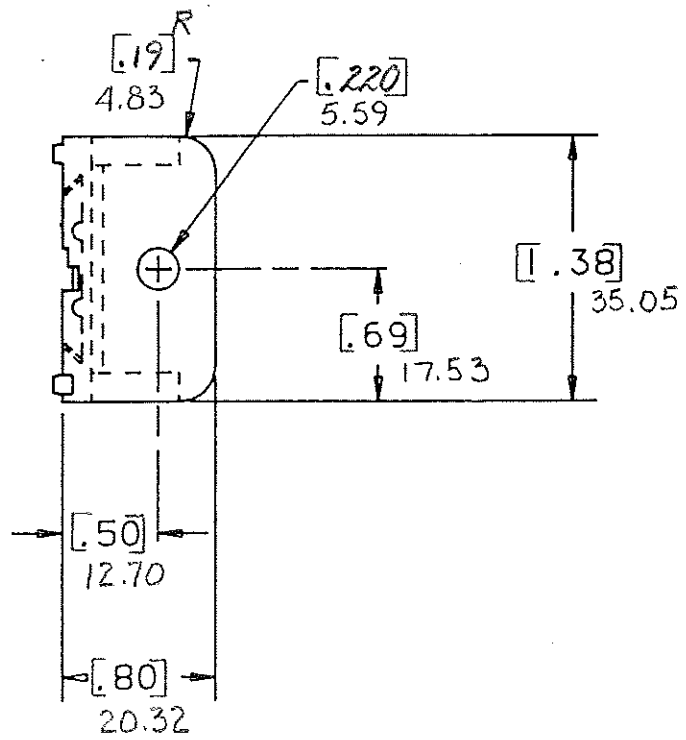
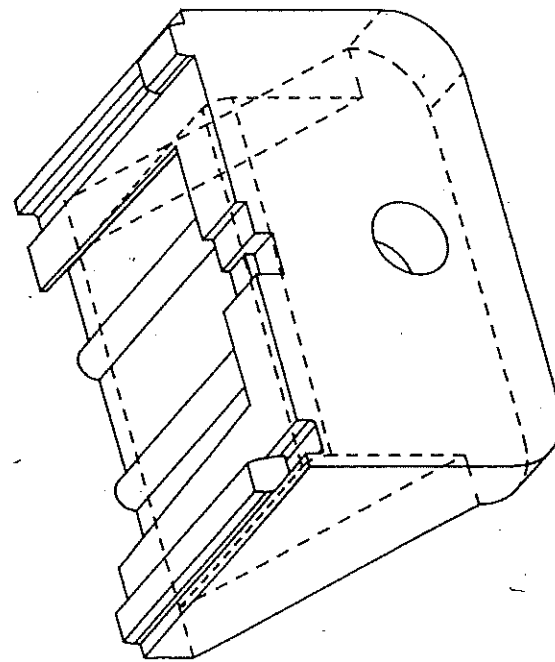
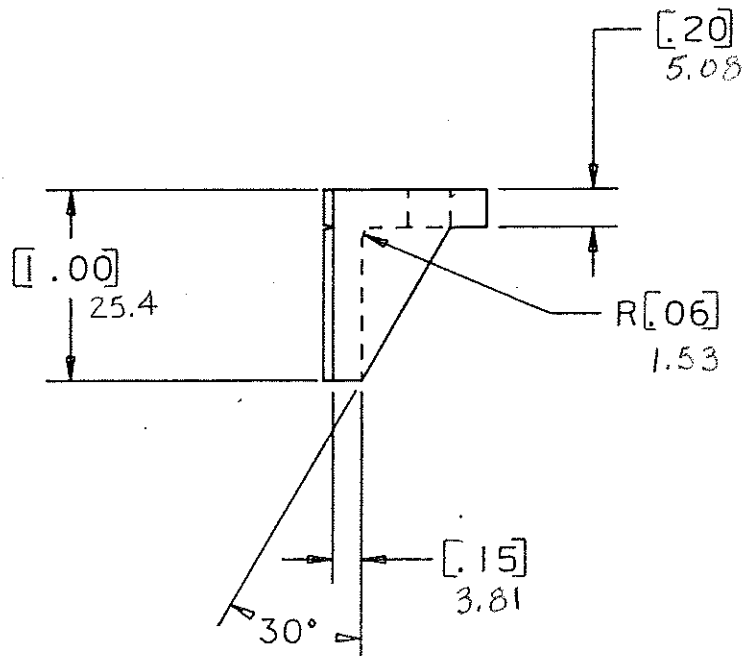


DRAWING NO.



CERTIFICATION OF  
COUNTRY OF ORIGIN  
REQUIRED



NOTE:

ALL DIMENSIONS ARE MILLIMETERS,  
ENGLISH DIMENSIONS IN [ ].

COPIES TO	MAT'L SPEC.	FINISH	SCALE	LBS./M
1				
2				
3				
4				
5				
6				
7				
8				
9				
10				
11				
12				
13				
14				
15				
16				
17				
18				
19				
20				
21				
22				
23				
24				
25				
26				
27				
28				
29				
30				
31				
32				
33				
34				
35				
36				
37				
38				
39				
40				
41				
42				
43				
44				
45				
46				
47				
48				
49				
50				
51				
52				
53				
54				
55				
56				
57				
58				
59				
60				
61				
62				
63				
64				
65				
66				
67				
68				
69				
70				
71				
72				
73				
74				
75				
76				
77				
78				
79				
80				
81				
82				
83				
84				
85				
86				
87				
88				
89				
90				
91				
92				
93				
94				
95				
96				
97				
98				
99				
100				
TITLE	FLUSH MOUNTING LEG			
DRWG. NO	D. 03540519Z			
Littelfuse 800 E. NORTHWEST HIGHWAY DES PLAINES, ILLINOIS 60016				

LTR	REVISION	CHK.	APP.
A	06534 - Released October 10, 94	Gas	AD
B	36988C - ADD METRIC DIMS 7-19-95	Gas	Gas
C	37055D - CHANGE TITLE 8-19-95	TR	Gas
D	000807ER - RE-INSTATE 10/09/09	J.U.	