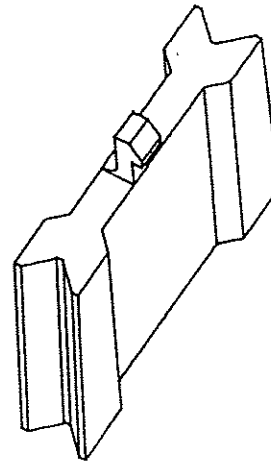
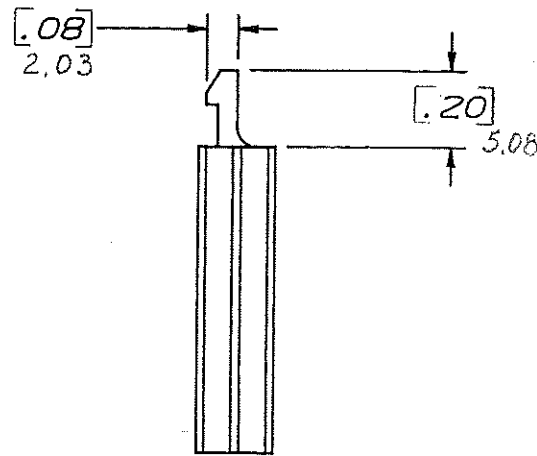
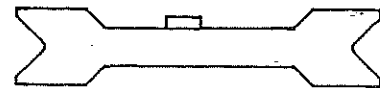
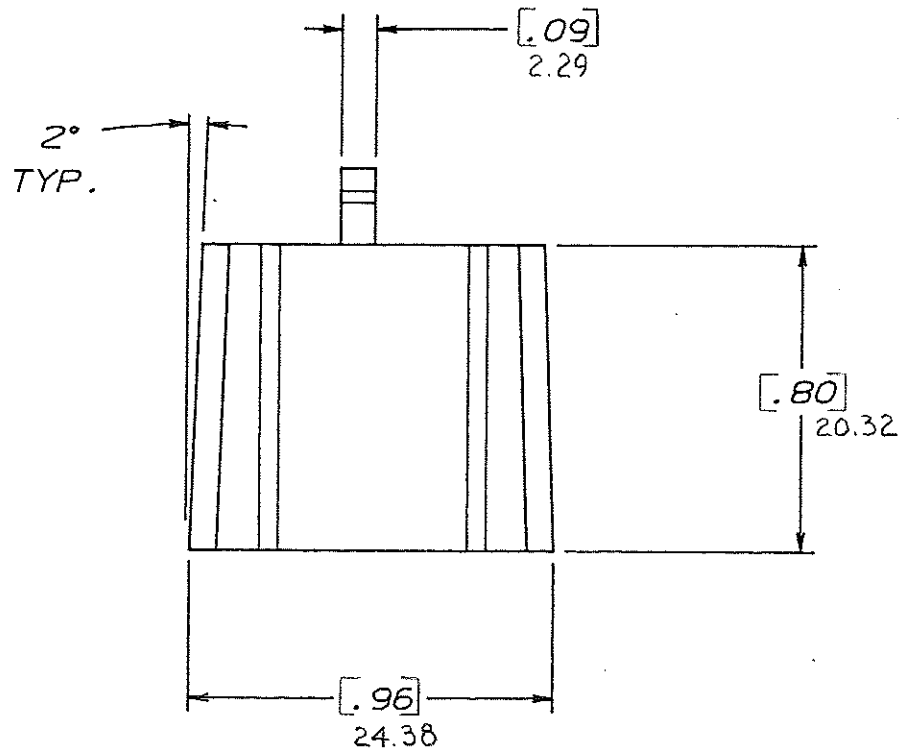
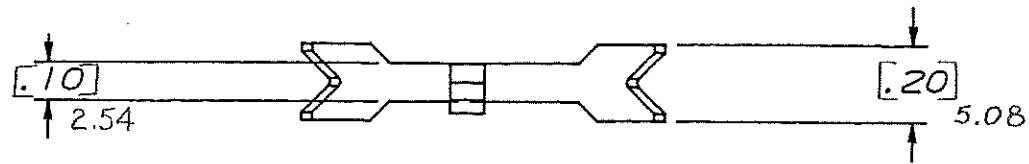


DRAWING NO.



NOTE:
ALL DIMENSIONS ARE IN MILLIMETERS.
ENGLISH DIMENSIONS IN [].

CERTIFICATION OF
COUNTRY OF ORIGIN
REQUIRED

COPIES TO	18	MAT'L. SPEC.	Nylon Color: Green		
	19		FINISH	SCALE	
20	21	DR.	GES. Dr. 7-94	CHK.	LS.
22	23	APPRO.	A. Hoesley	DATE	10-11-94
24	25	TOLERANCE UNLESS OTHERWISE SPECIFIED		SUPER. DR.	
26	27	TWO PLACE DEC. ±.50mm [.020]		RAW STK. WT.	LBS./M
28	29	THREE PLACE DEC. ±.25mm [.010]		ANGULAR ±	
TITLE					
Black Locks					
Littelfuse 800 E. NORTHWEST HIGHWAY DES PLAINES, ILLINOIS 60016					
DRWG. NO. 03540523Z					

LTR	REVISION	CHK.	APP.
A	06534 - Released October 10, 94 GES.	LS	AL
B	36988C - ADD METRIC DIM'S 7-19-95 RFR	LS	LS
C	37468D - CHANGE TITLE 8-19-95 JUN	T&L	LS
D	37150D - CHANGE TITLE 11/15/95 GES	LS	LS
E	000807ER - RE-INSTATE 10/09/09 J.U.		