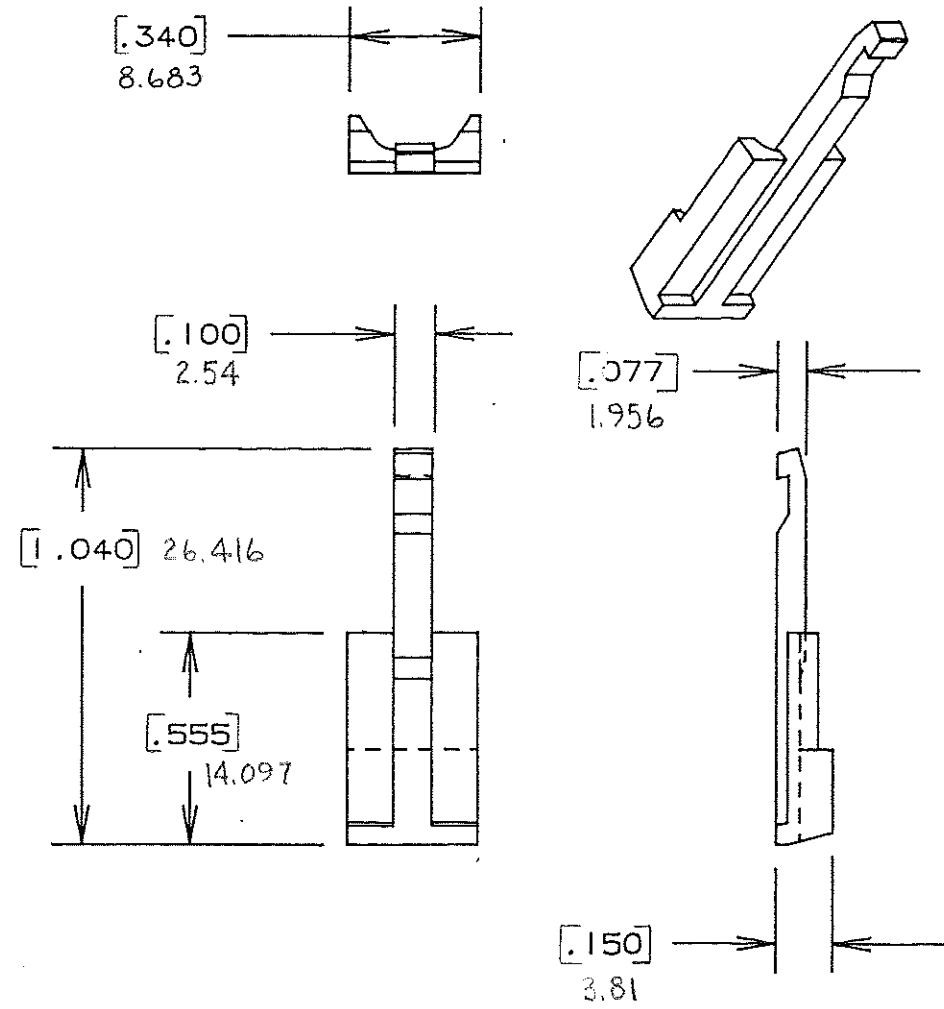


DRAWING NO.

NOTE:

ALL DIMENSIONS ARE IN MILLIMETERS.
ENGLISH DIMENSIONS IN [].



CERTIFICATION OF
COUNTRY OF ORIGIN
REQUIRED

COPIES TO		MAT'L. SPEC.		FINISH		SCALE	
1	2	3	4	5	6	7	8
9	10	11	12	13	14	15	16
17	18	19	20	21	22	23	24
25	26	27	28	29	30	31	32
33	34	35	36	37	38	39	40
41	42	43	44	45	46	47	48
49	50	51	52	53	54	55	56
57	58	59	60	61	62	63	64
65	66	67	68	69	70	71	72
73	74	75	76	77	78	79	80
81	82	83	84	85	86	87	88
89	90	91	92	93	94	95	96
97	98	99	100				
LTR		REVISION				CHK.	APD.
A		06534 - RELEASED OCTOBER 10, 94				GES.	A.P.
B		36988C - ADD METRIC DIMS 7-19-95				RFR	C
C		37035D - CHANGE TITLE 8-19-95				JCU	TRB
D		37150D - CHANGE TITLE 11/21/95				GIS	AS
E		000807ER - RE-INSTATE 10/09/09				J.U.	
TITLE							
TERMINAL LOCKS							
Littelfuse 800 E. NORTHWEST HIGHWAY DES PLAINES, ILLINOIS 60016						DRWG. NO.	
						E- 03540524Z	

DR. *GES. Oct. 7, 94*
APPD. *A. Huebly*
DATE *10-11-94*
CHK. *GES.*
SUPER. DR.
RAW STK. WT. LBS./M
TOLERANCE UNLESS OTHERWISE SPECIFIED
TWO PLACE DEC. ± .50mm [0.020] FRACTION ±
THREE PLACE DEC. ± .25mm [0.010] ANGULAR ±