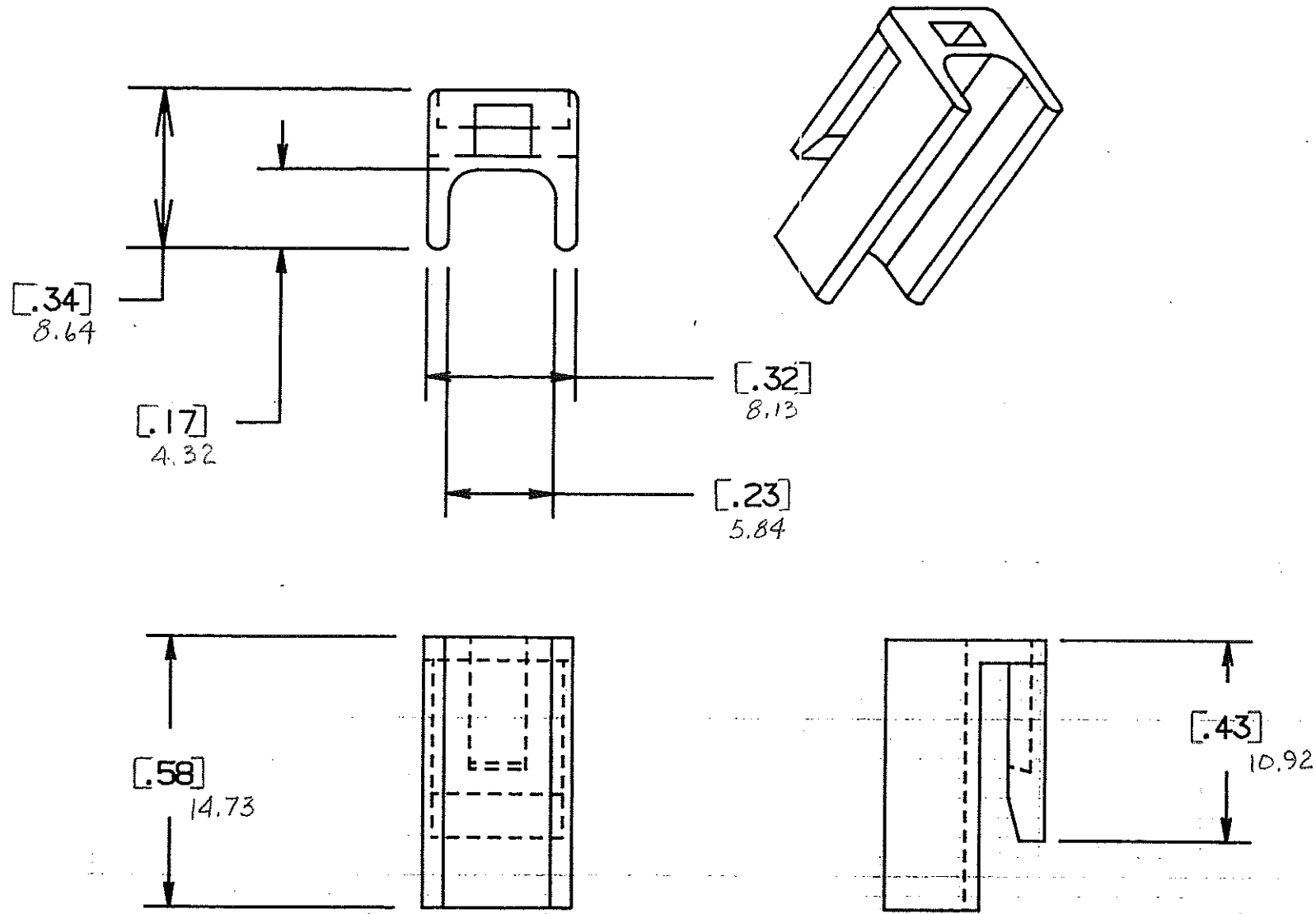


DRAWING NO.

NOTE:

ALL DIMENSIONS ARE IN MILLIMETERS.
ENGLISH DIMENSIONS IN [].



CERTIFICATION OF
COUNTRY OF ORIGIN
REQUIRED

COPIES TO		MAT'L. SPEC.	FINISH	CHK'G	DATE	SCALE	SUPER. DR.	RAW STK. WT.	LBS./M
1	2	Nylon			10-11-94				
3	4	Color: Green							
5	6								
7	8								
9	10								
11	12								
13	14								
15	16								
17	18								
19	20								
21	22								
23	24								
25	26								
27	28								
29	30								
31	32								
33	34								
35	36								
37	38								
39	40								
41	42								
43	44								
45	46								
47	48								
49	50								
51	52								
53	54								
55	56								
57	58								
59	60								
61	62								
63	64								
65	66								
67	68								
69	70								
71	72								
73	74								
75	76								
77	78								
79	80								
81	82								
83	84								
85	86								
87	88								
89	90								
91	92								
93	94								
95	96								
97	98								
99	100								
TITLE		TERMINAL LOCKS							
LITERATURE		Littelfuse 800 E. NORTHWEST HIGHWAY DES PLAINES, ILLINOIS 60016							
DRWG. NO.		E- 03540527Z							
LTR	REVISION	CHK.	APP.						
A	06534 - RELEASED OCTOBER 10, 94 Ges.	Ges	AB						
B	36988C - ADD METRIC DIMS 7-19-95 RFR	Ges	G						
C	37058D - CHANGE TITLE 8-19-95 JOU	Ter	G						
D	371500 - CHANGE TITLE 11/19/95 Gis	Gis	Gis						
E	000807ER - RE-INSTATE 10/09/09 J.U.								