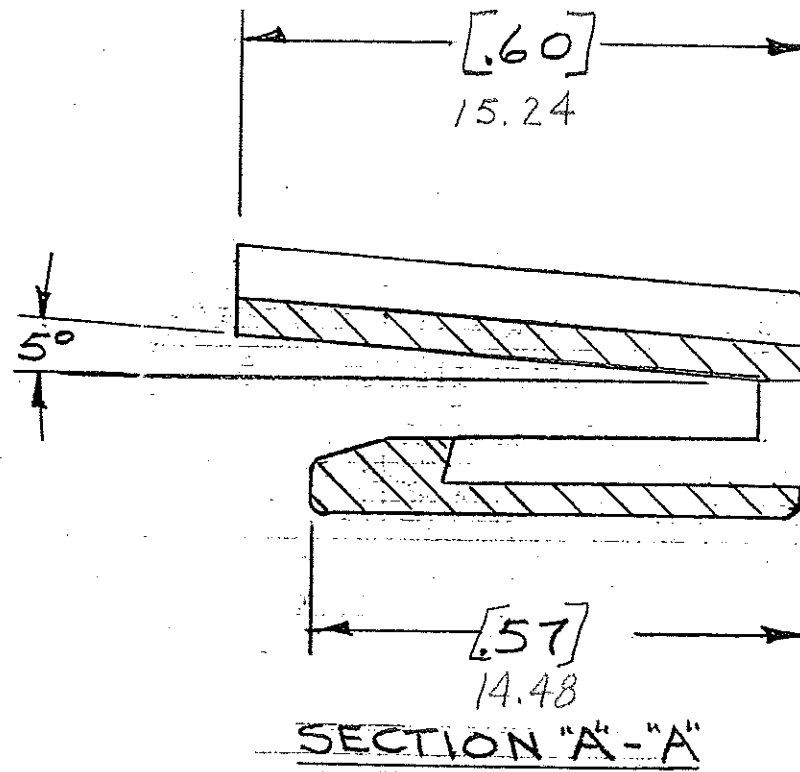
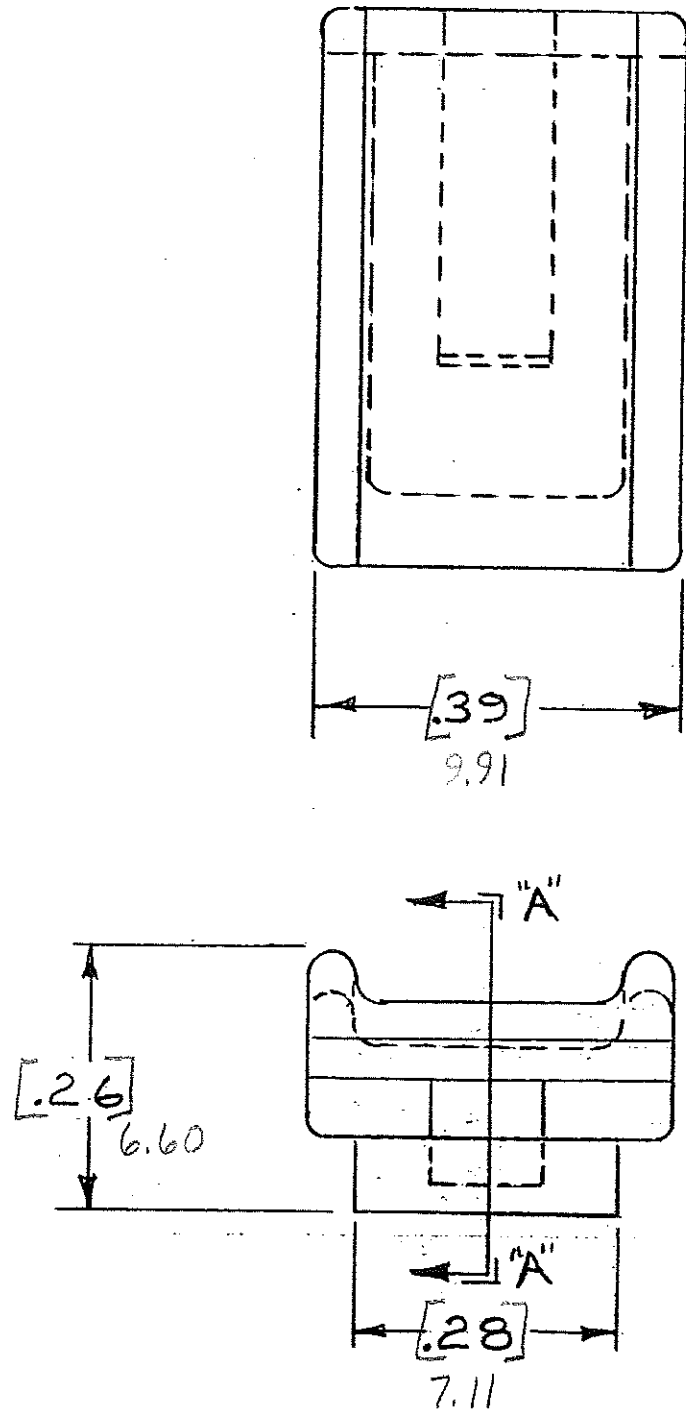


DRAWING NO.



CERTIFICATION OF
COUNTRY OF ORIGIN
REQUIRED

COPIES TO		MAT'L. SPEC.	FINISH	SCALE	DR.	CHK.	DATE	SUPER. DR.	RAW STK. WT.	LBS./M
1	2	3	4	5	6	7	8	9	10	11
18	19	20	21	22	23	24	25	26	27	28
29	30	31	32	33	34	35	36	37	38	39
40	41	42	43	44	45	46	47	48	49	50
51	52	53	54	55	56	57	58	59	60	61
62	63	64	65	66	67	68	69	70	71	72
73	74	75	76	77	78	79	80	81	82	83
84	85	86	87	88	89	90	91	92	93	94
95	96	97	98	99	100	101	102	103	104	105
106	107	108	109	110	111	112	113	114	115	116
117	118	119	120	121	122	123	124	125	126	127
128	129	130	131	132	133	134	135	136	137	138
139	140	141	142	143	144	145	146	147	148	149
150	151	152	153	154	155	156	157	158	159	160
TOLERANCE UNLESS OTHERWISE SPECIFIED										
TWO PLACE DEC. ±.50 [0.20] FRACTION ±										
THREE PLACE DEC. ±.25 [0.10] ANGULAR ±										
TITLE										
TERMINAL LOKS										
Littelfuse [®]										
800 E. NORTHWEST HIGHWAY										
DES PLAINES, ILLINOIS 60016										
DRWG. NO. E-03540531Z										
LTR	REVISION		CHK.	APD.						
A	06534 - RELEASED OCTOBER 10, 94 Ges.		Ges.	A-A						
B	36988C - ADD METRIC DIM 8-19-95 RFR		Ges.	Ges.						
C	37055D - CHANGE TITLE 9-19-95 J.U.		Tes	Ges.						
D	37150D - CHANGE TITLE 11/3/95 Ges		Ges	Ges						
E	000807ER - RE-INSTATE 10/09/09 J.U.									

NOTE: ALL DIMENSIONS ARE IN MILLIMETERS.
ENGLISH DIMENSIONS IN [].

THIS DRAWING IS THE PROPERTY OF LITTELFUSE AND
SHOULD BE KEPT IN CONFIDENCE