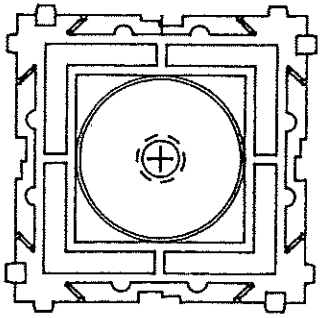
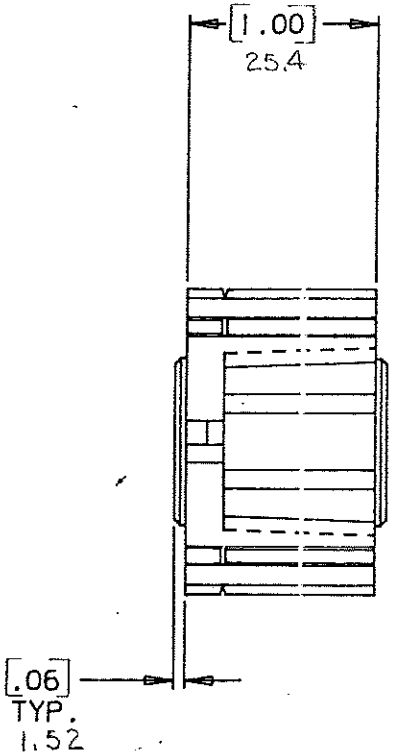
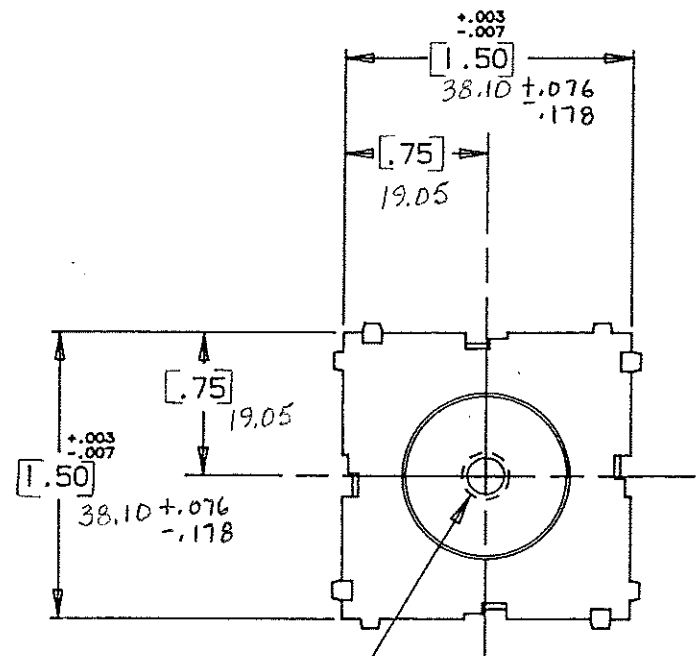


M8 X 1.25	354539	108 LB.-IN (12.0 N.m)
"A" TAP	LITTELFUSE N ^o	RECOMENDED TORQUE



"A" TAP THRU
(SEE CHART)

NOTE:
ALL DIMENSIONS ARE IN MILLIMETERS.
ENGLISH DIMENSIONS IN [].

CERTIFICATION OF
COUNTRY OF ORIGIN
REQUIRED

COPIES TO	18	MAT'L. SPEC.	FINISH	SCALE	SUPER. DR.	RAW STK. WT. LBS./M
	19					
	20					
	21					
22	DR. <i>GES.</i>	CHK. <i>A. H. H. J.</i>	DATE <i>10-26-94</i>	TOLERANCE UNLESS OTHERWISE SPECIFIED		
23	APPD. <i>A. H. H. J.</i>	TWO PLACE DEC. ± .50mm [0.020] FRACTION ±				
24		THREE PLACE DEC. ± .25mm [0.010] ANGULAR ±				
25		TITLE <i>POWER TAP MODULE</i>				
26		LITTELFUSE [®]				
27		800 E. NORTHWEST HIGHWAY				
28		DES PLAINES, ILLINOIS 60016				
29		DRAWG. NO. <i>D-03540539Z</i>				

LTR	REVISION	CHK.	APPD.
A	06559 - RELEASED OCTOBER 25, 94 GES.	GES	AA
B	36988C - ADD METRIC DIM. 7-19-95 RFR	CS	CS
C	37055B - CHANGE TITLE 8-19-95 JOU	TRR	CS
D	000807ER - RE-INSTATE 10/09/09 J.U.		

DRAWING NO.