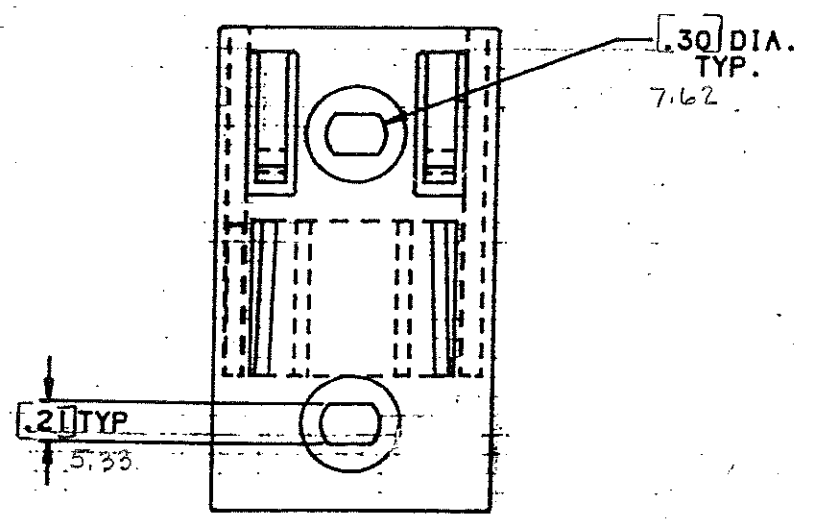
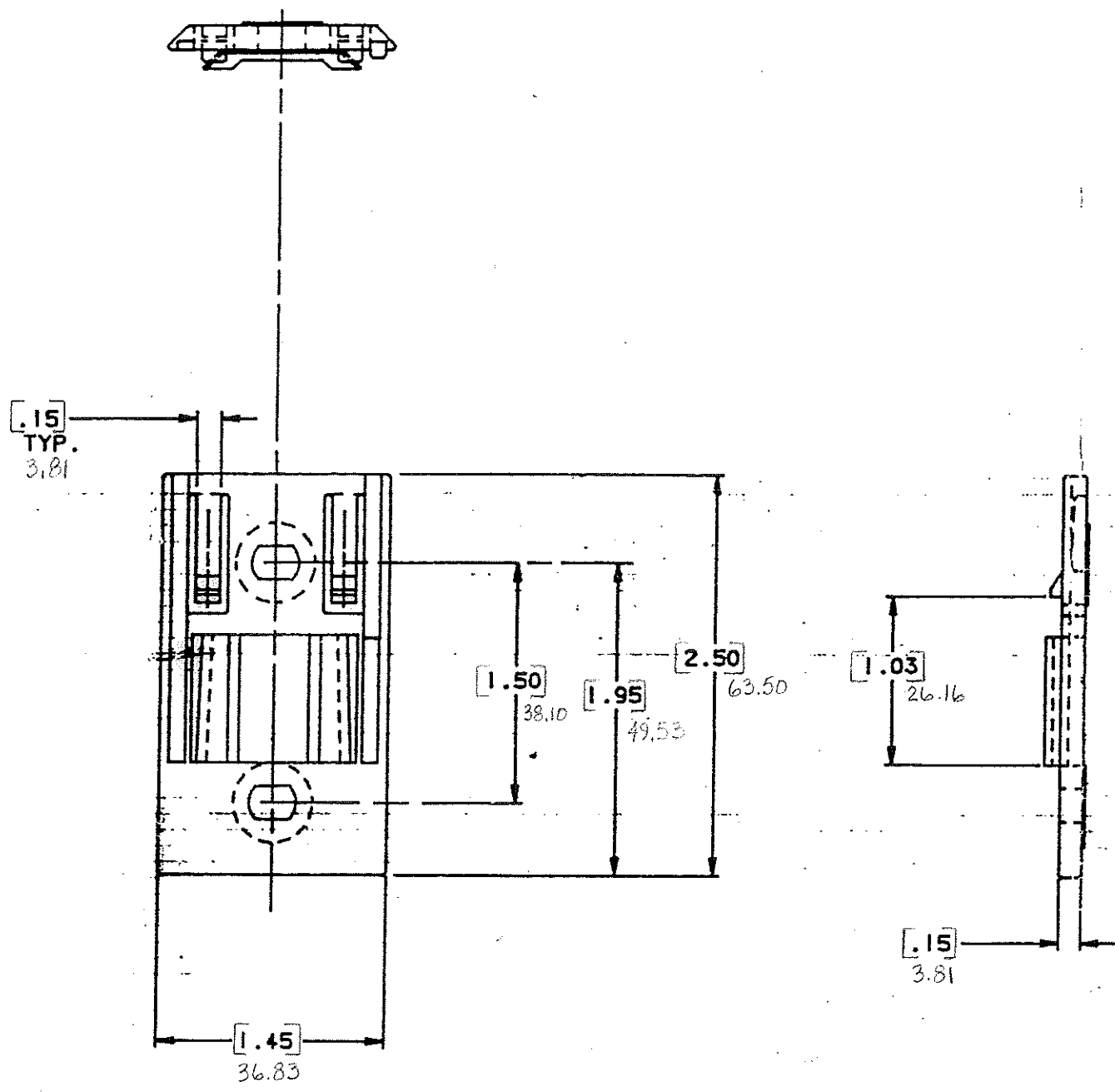


DRAWING NO.

Handwritten notes:
 1. 000807ER - RE-INSTATE
 10/09/09 J.U.



CERTIFICATION OF
 COUNTRY OF ORIGIN
 REQUIRED

COPIES TO	18	MAT'L SPEC.	Nylon Color: Black
	19	FINISH	SCALE
20	21	DR. <i>GES</i>	Nov. 21, 94
22	23	CHK.	
24	25	DATE	11-21-94
26	27	RAW STK. WT.	LBS./M
28	29	TOLERANCE UNLESS OTHERWISE SPECIFIED	
30	31	TWO PLACE DEC. ±.50mm [.020] FRACTION ±	
32	33	THREE PLACE DEC. ±.25mm [.010] ANGULAR ±	
TITLE Mounting Bracket			
Littelfuse 800 E. NORTHWEST HIGHWAY DES PLAINES, ILLINOIS 60016			
DRWG. NO. D-03540540Z			

LTR	REVISION	CHK.	APD.
A	06577-RELEASED Nov. 21, 94 GES.	GES	HA
B	36988C-ADD METRE DIM. 7-19-95 RFR	GES	CS
C	37055D-CHANGE TITLE 8-19-95 JCU	RFB	GES
D	000807ER-RE-INSTATE 10/09/09 J.U.		

NOTE: ALL DIMENSIONS ARE IN MILLIMETERS.
 ENGLISH DIMENSIONS IN [].