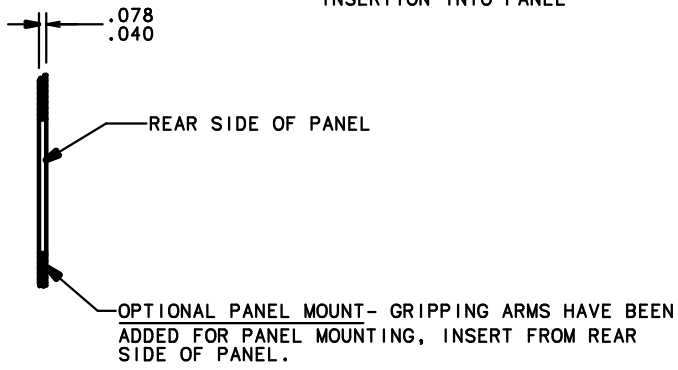
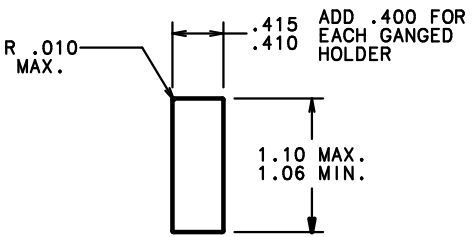
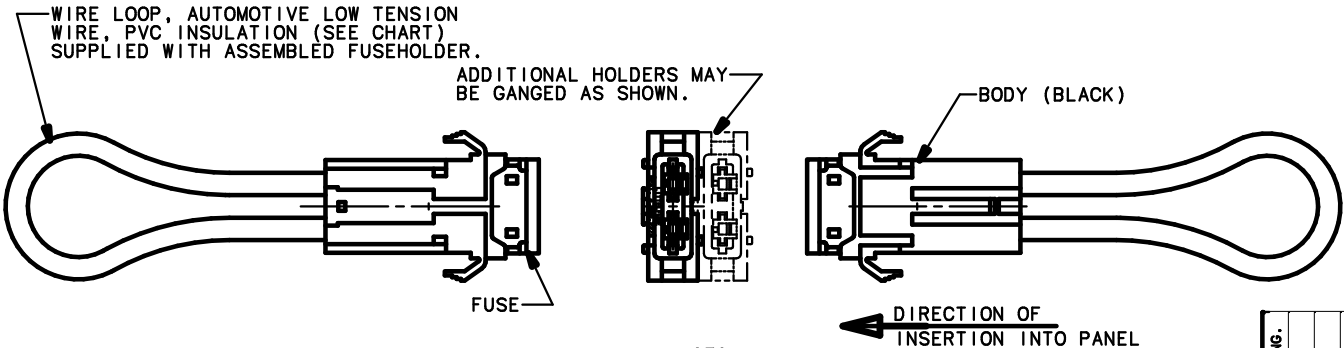


ASSEMBLED PART No.	WIRE		MAXIMUM RATING	FUSE No.
	GAUGE	COLOR		
OAFH0001Z	14	BLACK	N/A	N/A
OAFH0002Z	10	ORANGE	N/A	N/A
OAFH0003Z	14	BLACK	20 AMP, 32 VOLT	ATO 3
OAFH0004Z	14	BLACK	20 AMP, 32 VOLT	ATO 4
OAFH0005Z	14	BLACK	20 AMP, 32 VOLT	ATO 5
OAFH007.5Z	14	BLACK	20 AMP, 32 VOLT	ATO 7 1/2
OAFH0010Z	14	BLACK	20 AMP, 32 VOLT	ATO 10
OAFH0015Z	14	BLACK	20 AMP, 32 VOLT	ATO 15
OAFH0020Z	14	BLACK	20 AMP, 32 VOLT	ATO 20
OAFH0025Z	10	ORANGE	30 AMP, 32 VOLT	ATO 25
OAFH0030Z	10	ORANGE	30 AMP, 32 VOLT	ATO 30



- NOTES:
1. TEMPERATURE RATING: -40°C. TO +85°C.
 2. BODY MATERIAL - HEAT STABILIZED NYLON 6/6, UL 94 V-2, COLOR BLACK.

NO	COMPONENT NO	DESCRIPTION	QTY/M	U/M
BILL OF MATERIAL				
MTRL SPEC		FINISH		
COPIES TO	DRW	DATE	SCALE	1=1
1	9	1/21/98		
2	10		SUPER DRW	
3	12			
4	13			
5	14		RAW STK WT	LBS/M
6	15			
7	16			
8	17			
TOLERANCE UNLESS OTHERWISE SPECIFIED TWO PLACE DEC ±.01 THREE PLACE DEC ±.005 ANGULAR ±1°				
TITLE AUTOFUSE IN-LINE FUSEHOLDER (WITH & W/O 257 SERIES AUTOFUSE)				
LTR		REVISION	CHK	APD
C	38991C	-REVISED & REDRAWN ON NEW FORMAT 2/23/98 JMB		
D	39865B	-CHG 14 TO 10, BLACK TO ORANGE 5/7/99 PJM		

Littlefuse
DES PLAINES, ILLINOIS 60016

FORM NO. D
OAFH000 SERIES OUTLINE

UNLESS OTHERWISE SPECIFIED, DIMENSIONS DO NOT INCLUDE PLATING.
 DENOTES CRITICAL CHARACTERISTICS.
 DENOTES CPK DIMENSIONS--MINIMUM CPK VALUE 1.0
 DENOTES A CHARACTERISTIC THAT PROVIDES AN INDICATION OF PROCESS PERFORMANCE. THE PROCEDURE FOR MEASUREMENT OF THIS CHARACTERISTIC IS GIVEN IN THE INSTRUCTIONS.
 DIMENSIONS OF DIMENSIONS--MINIMUM CP VALUE SHALL BE WITHIN THE DIMENSIONAL LIMITATIONS SPECIFIED IN THE INSTRUCTIONS UNLESS OTHERWISE SPECIFIED FOR MAXIMUM TOOL LIFE.

UNCONTROLLED DOCUMENT