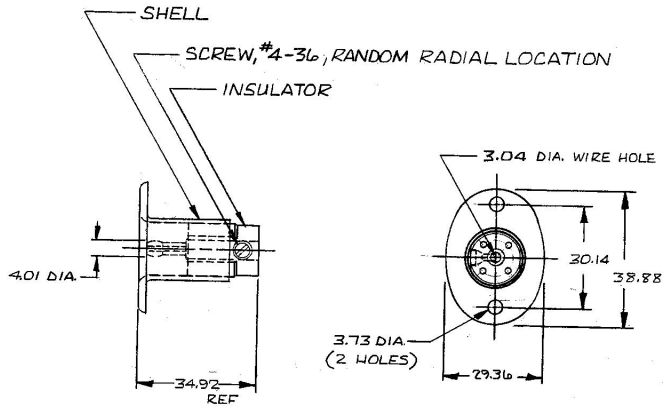


METRIC
 25
 3.04
 3.13
 3.01
 29.34
 30.14
 34.92
 38.88

11075



Confidential property of Cole Hersee

NOTE: ALL STEEL PARTS PLATED

METRIC

										DO NOT SCALE			
LET.	WAS	DATE	BY	LET	WAS	DATE	BY	MATERIAL	DRAWN	CHECKED	APPROV'D	SCALE	DATE DRAWN
								//	GK	RJH		1:1	3-13-56
								FINISH	 <small>WORLD CENTER FURNACE SOUTH BOSTON, MA, U.S.A. 02107</small>				DATE BLUEPRINT
								TOLERANCES					CONN SOCKET 1 POLE
								DECIMAL ± .25					
								METRIC ± .25					

CH-188(4-78)