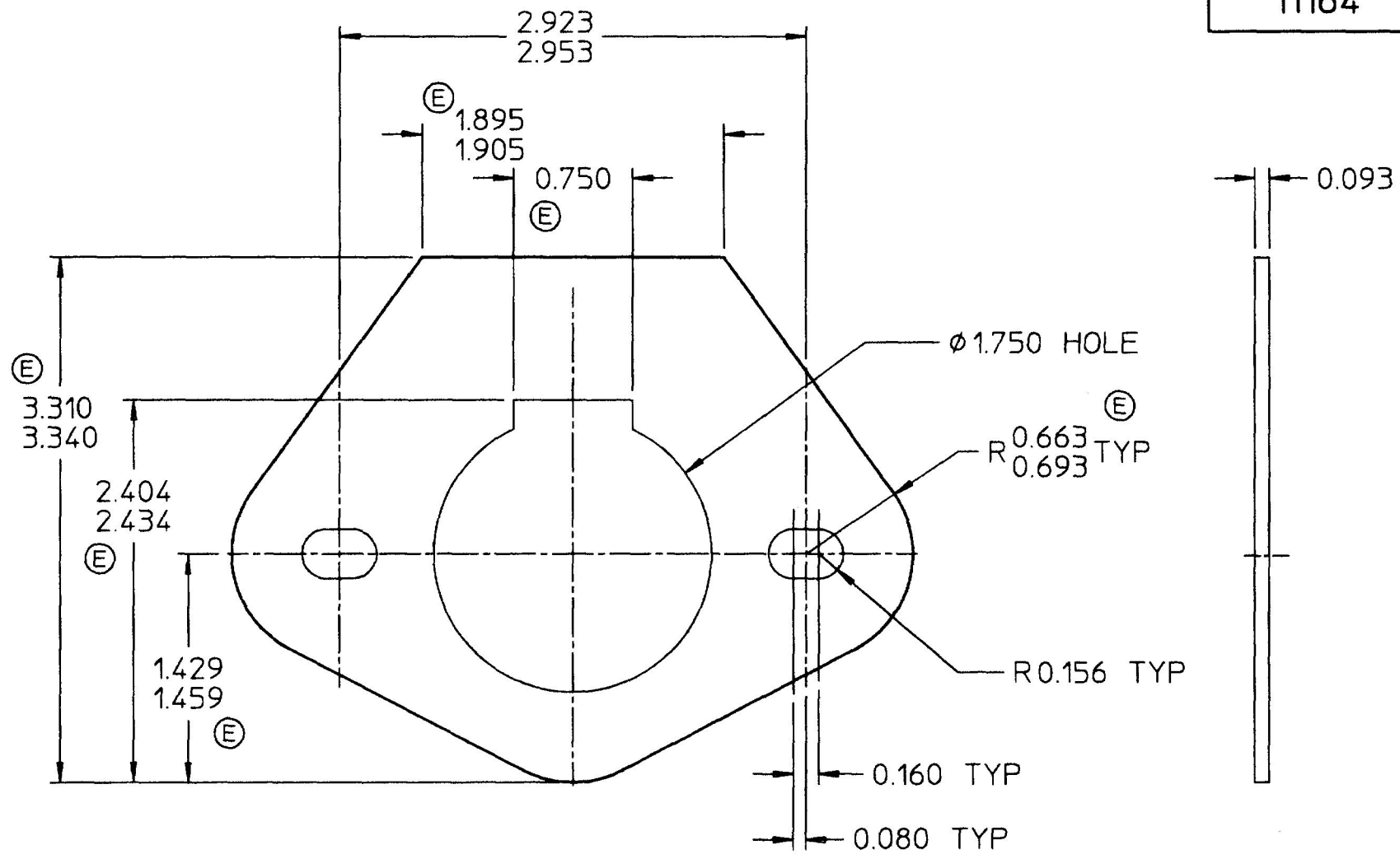


11164



ⓔ NOTE:
1. MATERIAL: NEOPRENE #SC-42 BLACK

DO NOT SCALE

LET.	WAS	DATE	BY	LET.	WAS	DATE	BY	MATERIAL	DRAWN	CHK	APVD	SCALE	DATE DRAWN
				E	ECN # 99301	7/14/99	AJS	NOTED	WK	WZ		1:1	7/20/79
				D	ECN # 26195	5/20/96	EB	FINISH	Cole Hersee Co. 20 OLD COLONY AVENUE, BOSTON, MA., U.S.A., 02127				DATE BLUEPRINTED
				C	ECN # 25919	7/7/95	MB						
				B	ECN #25713 / PUT ON CAD	12/15/94	MJT	TOLERANCES DECIMAL ± 0.015 ANGLE ± ⓓ	GASKET				11164
					ISSUED	7/27/66	B						