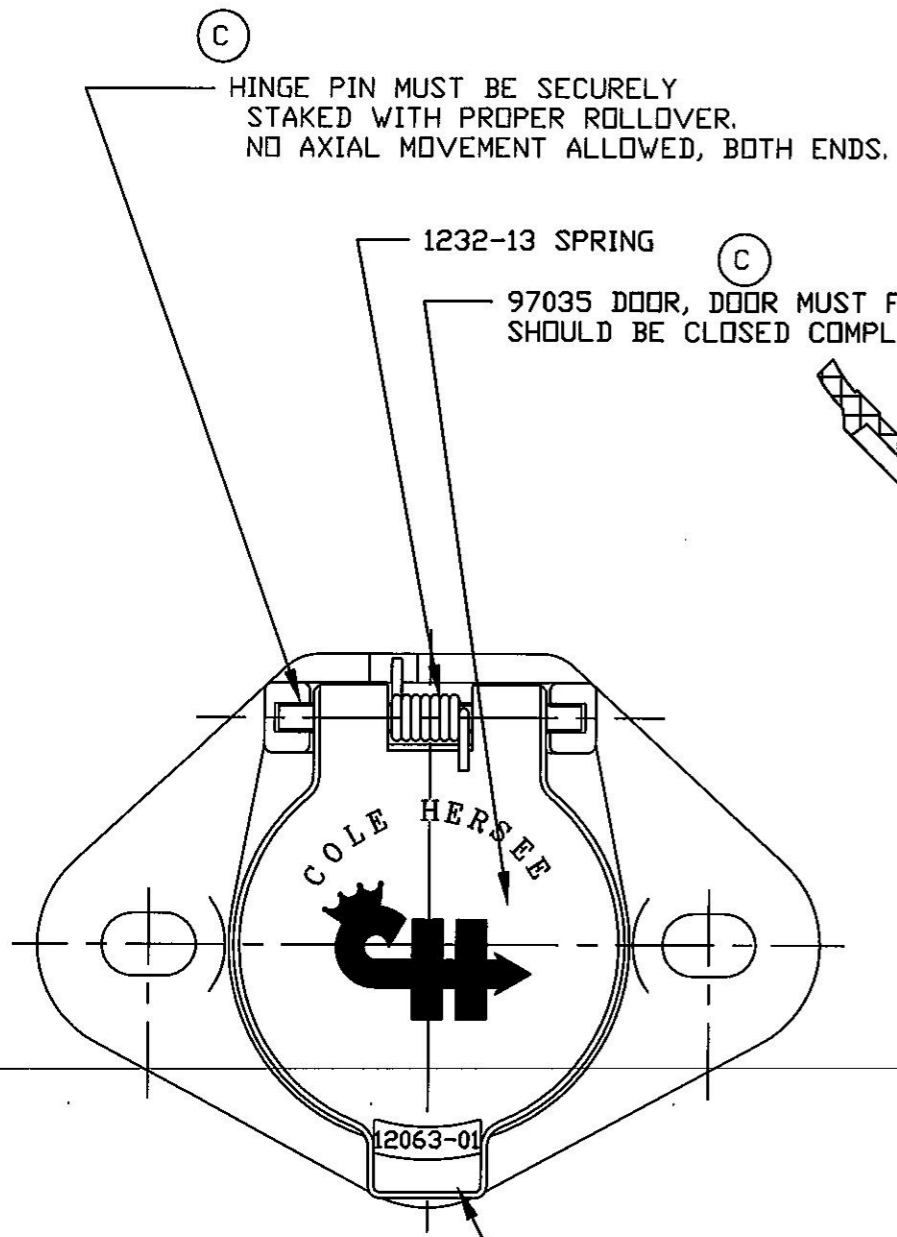
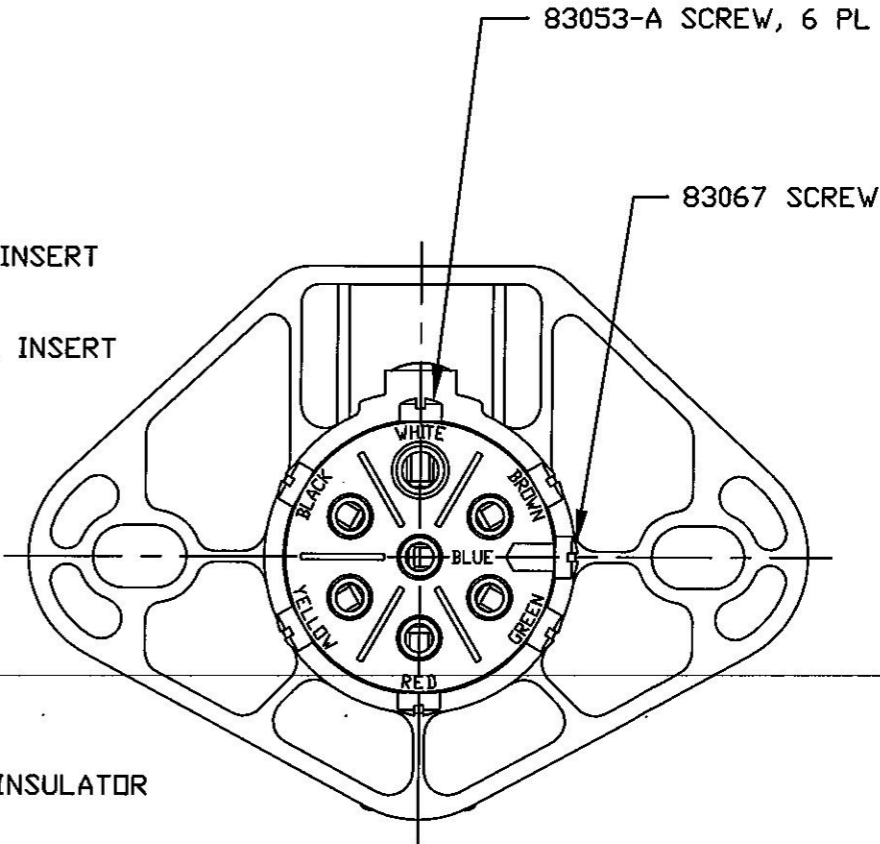
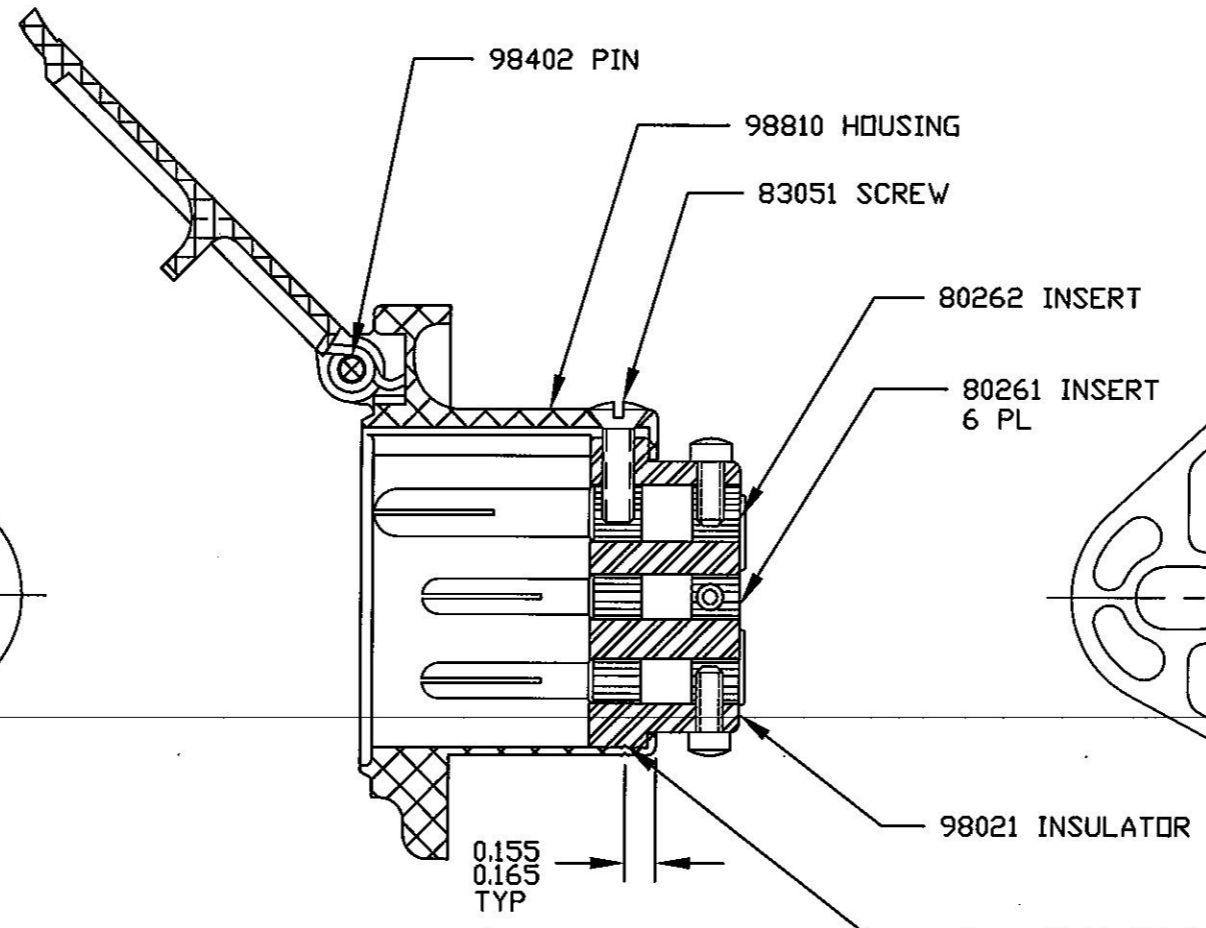


**Revision Control Record**

Rev.	Description of Change	ECN No.	Date
A	NEW SHOP DRAWING	00777	11/2/00
B	ADDED P/N TO THE PART	03029	1/21/03
C	ADDED NOTES	09623	10/27/09



1232-13 SPRING  
 97035 DOOR, DOOR MUST FIT WITH BODY & SHOULD BE CLOSED COMPLETELY AGAINST FLANGE AFTER ASSEMBLY



12063-01  
 STAMP PART NUMBER HERE

RECTANGULAR STAKE, 3 PLACES, 120° APART, 0.040/0.050 WIDE X 0.150/0.180 LONG X 0.035/0.050 DEEP MEASURE AT BASE OF STAKE

**Tolerances** Unless otherwise specifically noted, the following are default tolerances:  
 • 2-place Decimal Dimensions +/- .02"  
 • 3-place Decimal Dimensions +/- .005"  
 • Angular Dimensions +/- 1.0 Deg.  
 • Metric: Refer to equivalent English Dimension Tolerance  
 >>> NOTE: All tolerances are Non-Cumulative. <<<

**Dimensional Units** All dimensions are expressed in inches except those shown in brackets (xxx) are expressed in millimeters

"REF." or an Asterisk (\*) = Non-Toleranced Reference Dimension, shown for clarification purposes only.

**PROPRIETARY INFORMATION** This Engineering Drawing, and the information contained herein, is proprietary to Cole Hersee Company and may not be disclosed, re-produced, or in any other way transferred or communicated to any other party without the express written consent of an authorized representative of Cole Hersee Company.

**DESIGN CONTROL** It is the responsibility of the Individual using / referencing this drawing to assure that the noted design revision level agrees with the revision level of the Controlled Document (Master Drawing). This is a NON-CONTROLLED DOCUMENT unless otherwise specifically noted.

DO NOT SCALE - Dimensional variation may occur during printing / reproduction.

**Special Characteristics:**

- CC Critical Characteristic, relating to Safety and/or Regulatory Compliance
- X Significant Characteristic relating to Process Control (SPC)
- KC Control Dimension relating to Form - Fit - Function as defined by Cole Hersee Company and/or the Customer

(Note that the identification of any Characteristics as being "Special" does not alter the requirement that ALL specified dimensions & tolerances must be met.)

**Cole Hersee Co.**  
 20 Old Colony Ave., South Boston, MA, 02127  
 Phn: 617-268-2100 Web: www.colehersee.com

**Description: 7 WAY FLANGE CONN**

Drawing / Part No.: **12063-01**  
 SHOP DRAWING

Current Rev. **C**

Used On or Ref.: Scale: **1:1** Drawn By: **PEM** Date: **11/2/00** Responsible Engineer: **SM** Pg. 1 of 1