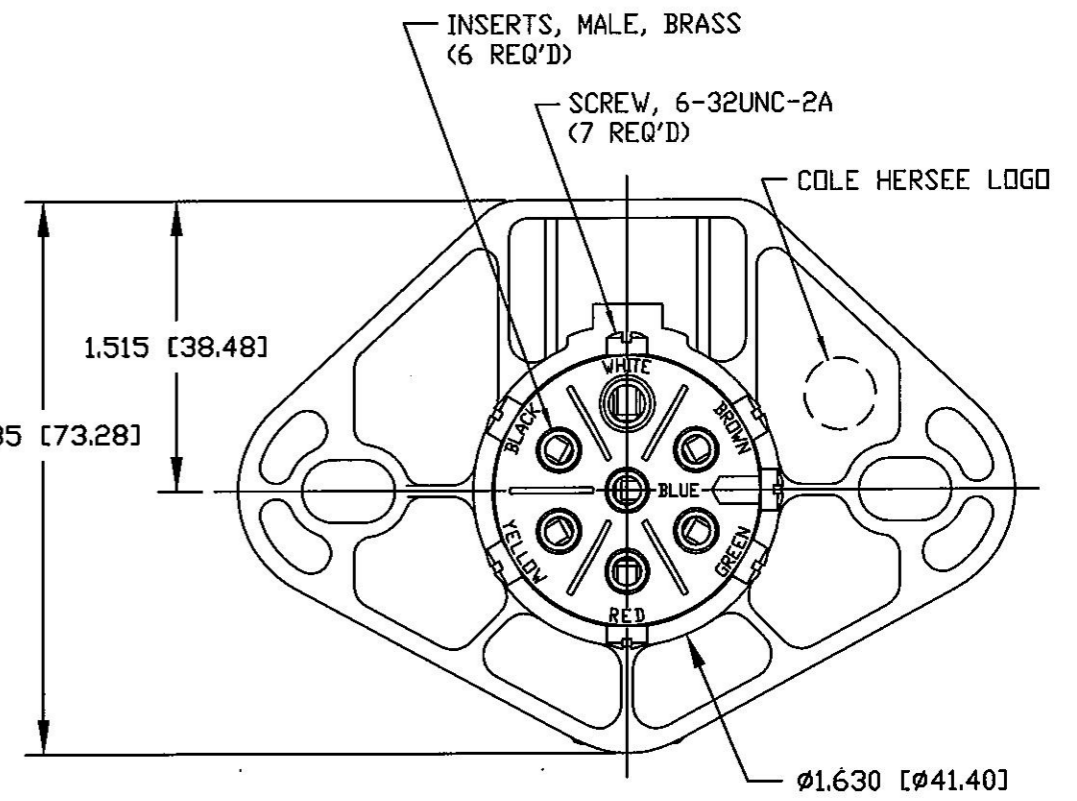
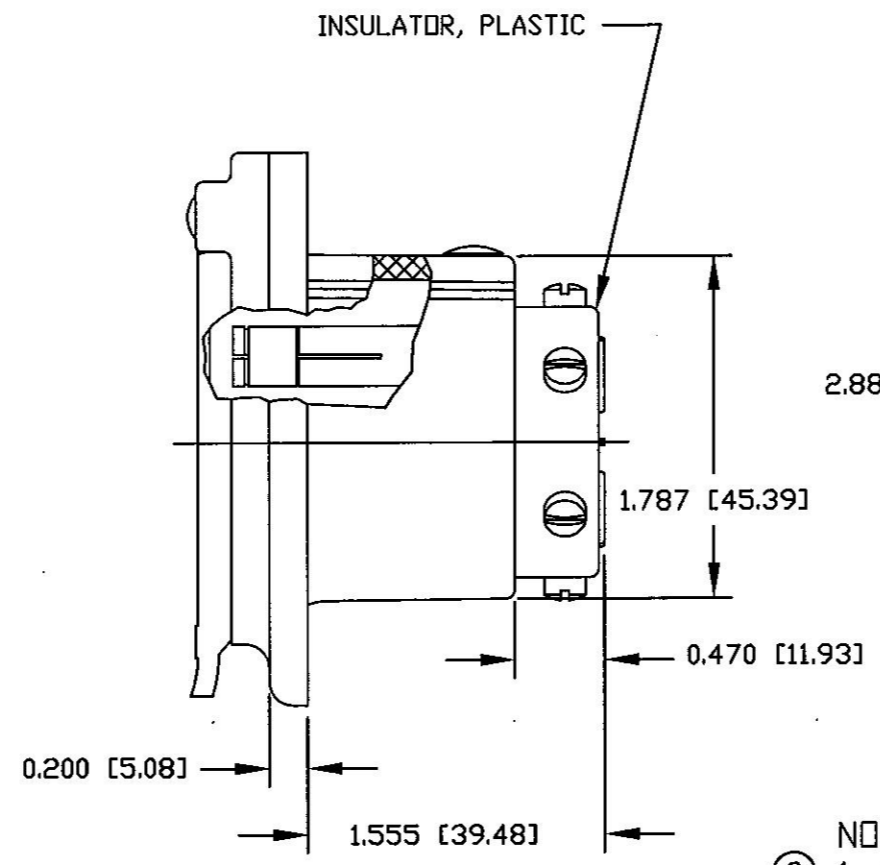
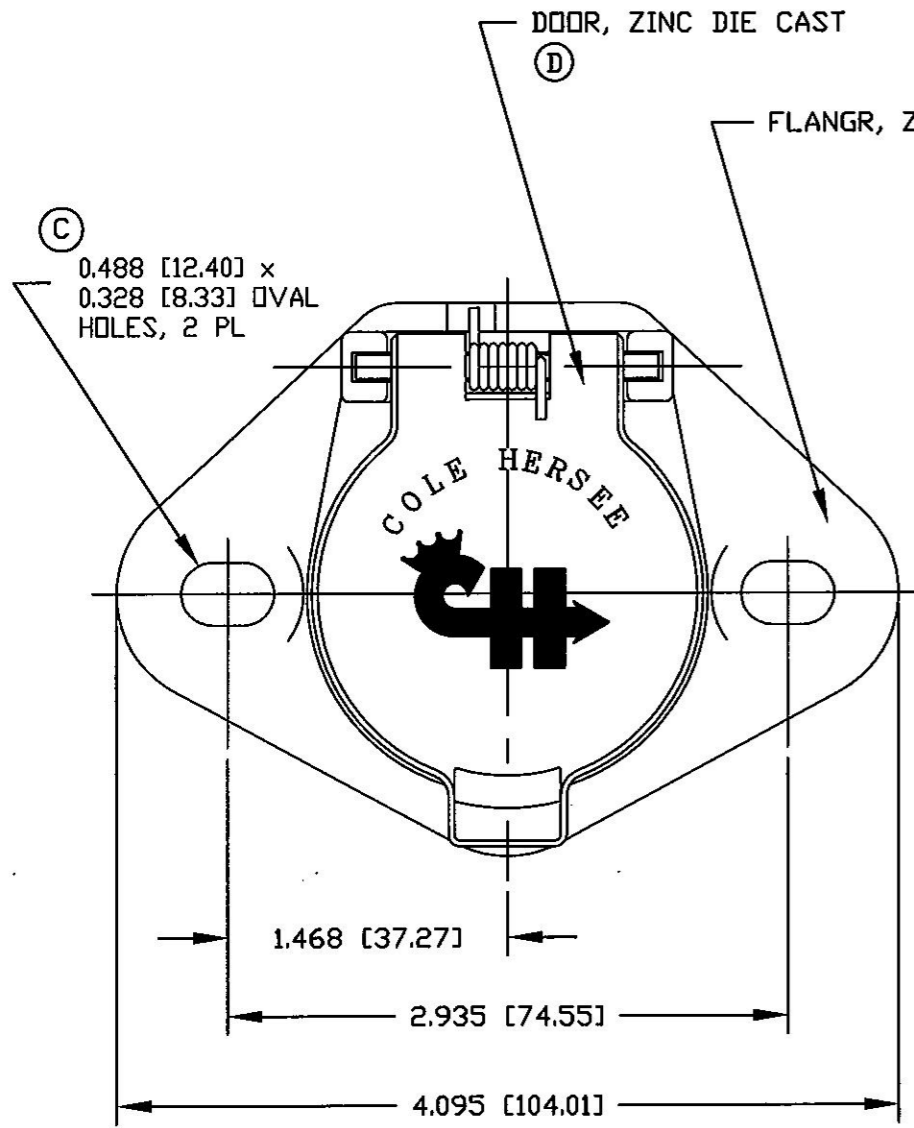


**Revision Control Record**

Rev.	Description of Change	ECN No.	Date
C	CHANGED SHAPE OF HOLES	02373	2/04/03
D	REVISED DOOR	09538	11/12/09



- NOTES:
- ① ALL DIMENSIONS ARE REFERENCE
  - ② INSERTS WILL ACCEPT UP TO #8 GA [8.0mm<sup>2</sup>] WIRE LEAD AT GROUND TERMINAL AND #10 GA [5.0mm<sup>2</sup>] WIRE LEADS AT OTHER TERMINALS
  - ③ INSULATED
  - ④ SOLID PIN TYPE
  - ⑤ REF. I.S.D. STD. 3731-1976 (E) TYPE 24S (SUPPLEMENTARY) 24V

COND NO	WIRE COLOR	LAMPS, SIGNAL CIRCUITS
7	BLUE	AUXILIARY
6	BROWN	TAIL CLEARANCE, SIDE MARKER LAMPS AND LICENSE PLATE LAMPS
5	GREEN	RIGHT - HAND TURN SIGNAL AND HAZARD SIGNAL
4	RED	STOP LAMPS AND ANTILOCK DEVICES
3	YELLOW	LEFT - HAND TURN SIGNAL AND HAZARD SIGNAL
2	BLACK	CLEARANCE, SIDE MARKER, AND IDENTIFICATION LAMPS
1	WHITE	GROUND RETURN TO TOWING VEHICLE

**Tolerances** Unless otherwise specifically noted, the following are default tolerances:  
 \* 2-place Decimal Dimensions +/- .02"  
 \* 3-place Decimal Dimensions +/- .005"  
 \* Angular Dimensions +/- 1.0 Deg.  
 \* Metric: Refer to equivalent English Dimension Tolerance  
 >>> NOTE: All tolerances are Non-Cumulative. <<<

**Dimensional Units** All dimensions are expressed in inches except those shown in brackets (xxx) are expressed in millimeters

\*REF.\* or an Asterisk (\*) = Non-Toleranced Reference Dimension, shown for clarification purposes only.

**PROPRIETARY INFORMATION** This Engineering Drawing, and the information contained herein, is proprietary to Cole Hersee Company and may not be disclosed, re-produced, or in any other way transferred or communicated to any other party without the express written consent of an authorized representative of Cole Hersee Company.

**DESIGN CONTROL** It is the responsibility of the individual using/ referencing this drawing to assure that the noted design revision level agrees with the revision level of the Controlled Document (Master Drawing). This is a NON-CONTROLLED DOCUMENT unless otherwise specifically noted.

DO NOT SCALE - Dimensional variation may occur during printing/ reproduction.

**Special Characteristics:**

- Ⓢ Critical Characteristic, relating to Safety and/or Regulatory Compliance
- Ⓧ Significant Characteristic relating to Process Control (SPC)
- ⓀⓄ Control Dimension relating to Form - Fit - Function as defined by Cole Hersee Company and/or the Customer

(Note that the identification of any Characteristics as being "Special" does not alter the requirement that ALL specified dimensions & tolerances must be met.)

**Cole Hersee Co.**  
 20 Old Colony Ave., South Boston, MA, 02127  
 Phn: 617-268-2100 Web: www.colehersee.com

**Description: 7 WAY FLANGE CONN**

Drawing/ Part No.: **12077-01**

Current Rev.: **D**