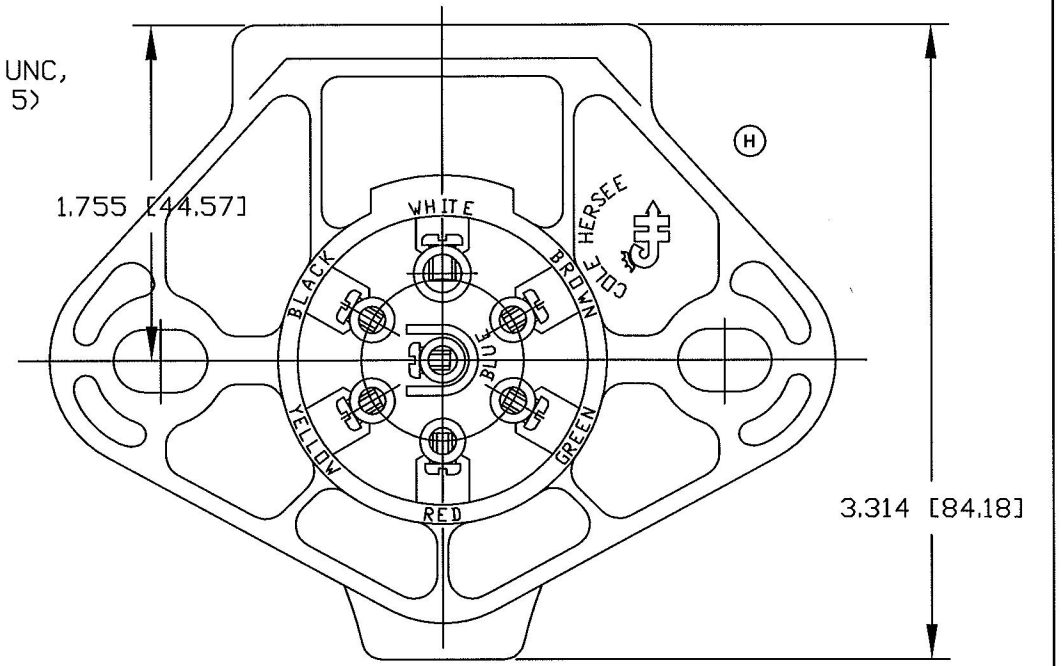
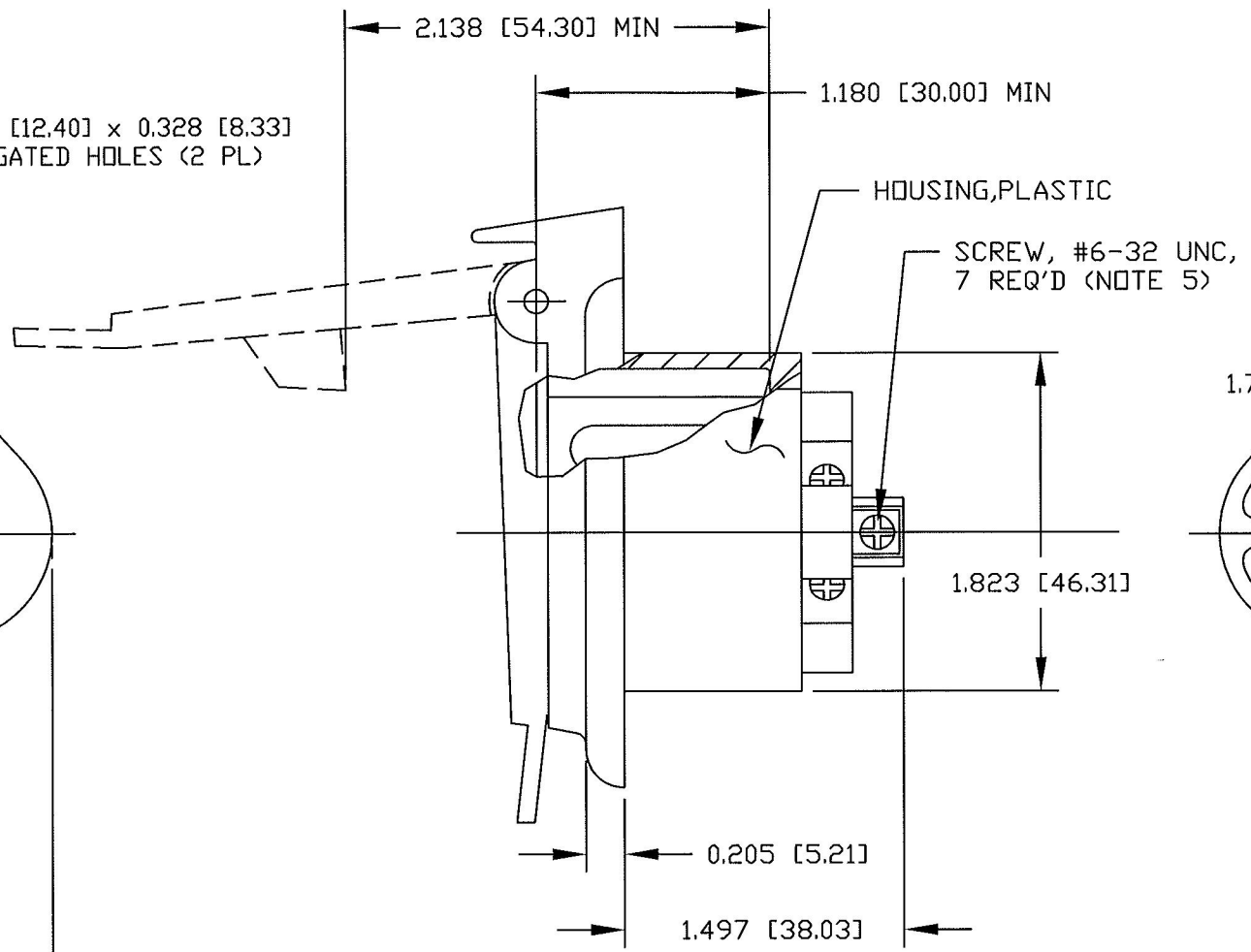
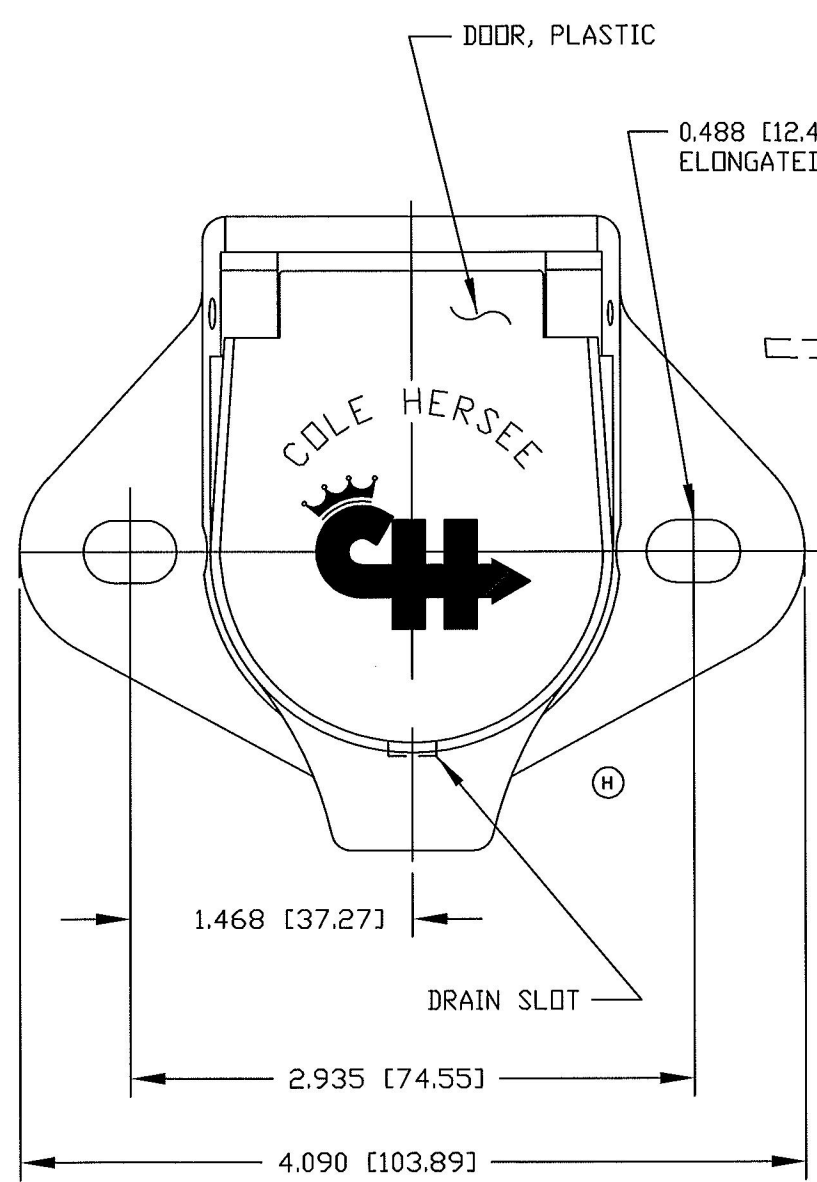


**Revision Control Record**

Rev.	Description of Change	ECN No.	Date
H	AUTOCAD	06169	06/02/06
J	NO CHANGE	11178	12/14/11



- NOTES:
1. TERMINAL WILL ACCEPT UP TO 8.0mm<sup>2</sup> WIRE LEAD AT GROUND TERMINAL & 5.0 mm<sup>2</sup> WIRE LEADS AT ALL OTHER TERMINALS.
  2. SOLID PIN TYPE - PLAIN BRASS
  3. CAN BE USED AS REPLACEMENT FOR ISO STD. TYPE 24N 24 VOLTS
  4. ALL DIMENSIONS WITHOUT TOLERANCE ARE REFERENCE
  5. SCREW TIGHTENING TORQUE 0.9 Nm (8 LB-IN) MAX.

7	BLUE	AUXILIARY
6	BROWN	TAIL CLEARANCE, SIDE MARKER LAMPS & LICENCE PLATE LAMPS
5	GREEN	RIGHT HAND TURN SIGNAL & HAZARD SIGNAL
4	RED	STOP LAMP & ANTI-LOCK DEVICES
3	YELLOW	LEFT HAND TURN SIGNAL & HAZARD SIGNAL
2	BLACK	CLEARANCE, SIDE MARKER & IDENT. LAMP
1	WHITE	GROUND, RETURN TO TOWING VEHICLE
CONDUCTOR NUMBER	WIRE COLOR	LAMPS, SIGNAL CIRCUITS

**Tolerances** Unless otherwise specifically noted, the following are default tolerances:  
 \* 2-place Decimal Dimensions +/- .02"  
 \* 3-place Decimal Dimensions +/- .005"  
 \* Angular Dimensions +/- 1.0 Deg.  
 \* Metric: Refer to equivalent English Dimension Tolerance  
 >>> NOTE: All tolerances are Non-Cumulative. <<<

**Dimensional Units** All dimensions are expressed in inches except those shown in brackets (xxx) are expressed in millimeters

"REF." or an Asterisk (\*) = Non-Toleranced Reference Dimension, shown for clarification purposes only.

Used On or Ref.: **EX19384** Scale: **1:1**

**PROPRIETARY INFORMATION** This Engineering Drawing, and the information contained herein, is proprietary to Cole Hersee Company and may not be disclosed, re-produced, or in any other way transferred or communicated to any other party without the express written consent of an authorized representative of Cole Hersee Company.

**DESIGN CONTROL** It is the responsibility of the individual using / referencing this drawing to assure that the noted design revision level agrees with the revision level of the Controlled Document (Master Drawing). This is a NON-CONTROLLED DOCUMENT unless otherwise specifically noted.

DO NOT SCALE - Dimensional variation may occur during printing / reproduction.

Drawn By: **CS** Date Drawn: **01/11/82**

**Special Characteristics:**

CC Critical Characteristic, relating to Safety and/or Regulatory Compliance

X Significant Characteristic relating to Process Control (SPC)

KC Control Dimension relating to Form - Fit - Function as defined by Cole Hersee Company and/or the Customer

(Note that the identification of any Characteristics as being "Special" does not alter the requirement that ALL specified dimensions & tolerances must be met.)

Responsible Engineer: **SAM** Pg. 1 of 1

**Cole Hersee Co.**  
 20 Old Colony Ave., South Boston, MA, 02127  
 Phn: 617-268-2100 Web: www.colehersee.com

**Description:** 7 POLE CONN SKT

Drawing / Part No.: **12080** Current Rev. **J**