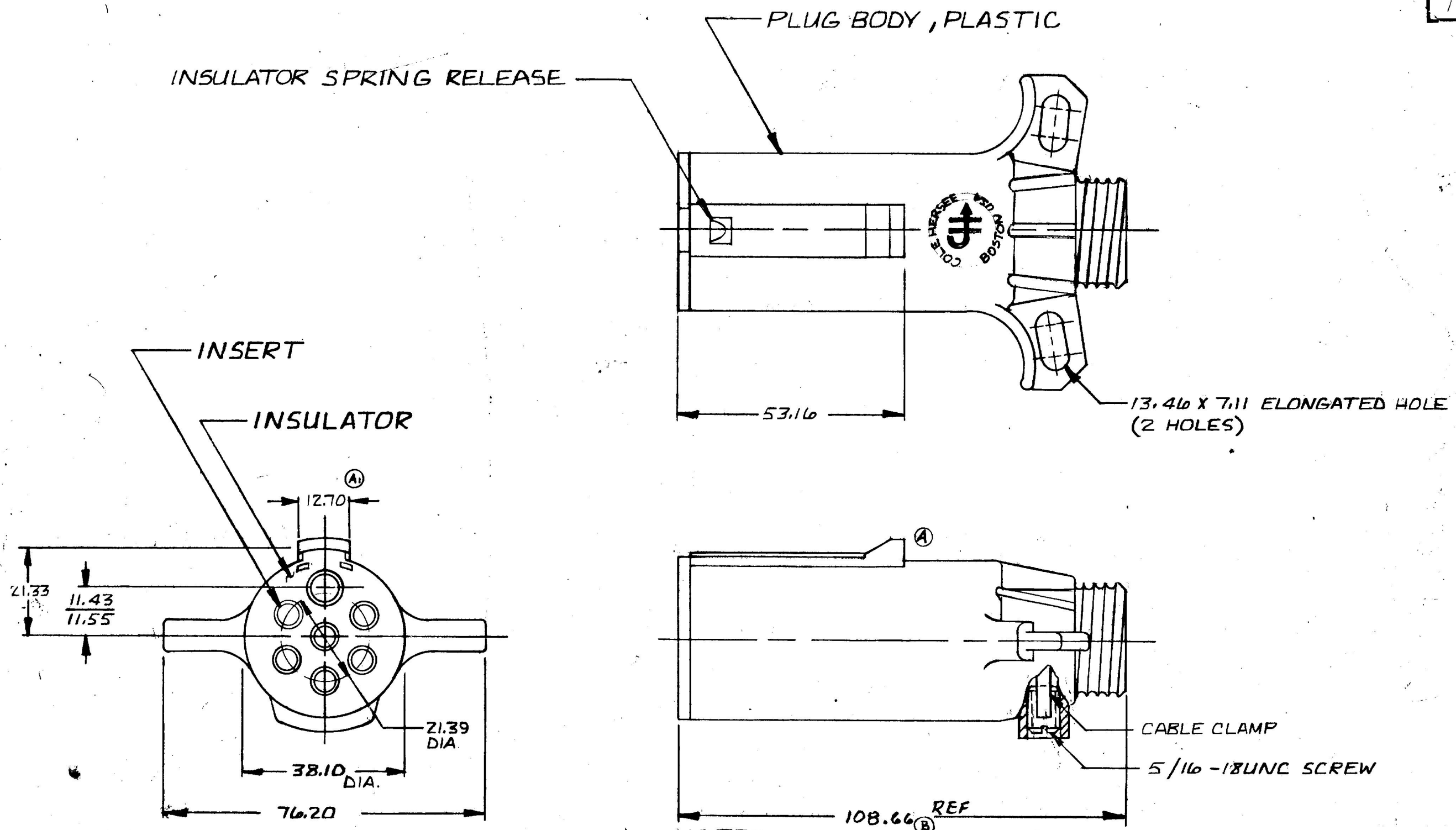


MM	IN
25	.010
7.11	.280
11.43	.450
11.55	.455
12.70	.500
13.46	.530
21.33	.840
21.39	.842
38.10	1.500
53.16	2.093
76.20	3.000
108.66	4.278

12081

COLE-HERSEE CO.



- © NOTES
1. CONFORMS TO S. A. E. STANDARD J560b
 2. CURRENT CARRYING INSERTS BRASS
 3. WILL ACCEPT UP TO #8 GA WIRE AT GROUND TERMINAL (WHITE) & UP TO #10 GA WIRE AT ALL OTHER TERMINALS

LET.	WAS	DATE	BY	LET.	WAS	DATE	BY	MATERIAL	DRAWN	CHECKED	APPR'D.	SCALE	DATE DRAWN
				C	ADDED NOTES	12-22-82	TJB	#	R	M+		1:1	1-12-82
				B	106.39 21847	11-5-82	RJR	FINISH					DATE BLUEPRINT
					ISSUES	10-25-82	RJR						
				A	REVISED KEYWAY	10-21-82	RJR	TOLERANCES					
				A1	ADDED DIM.	10-21-82	RJR	DECIMAL ±					
								METRIC ± .25					
												7 POLE PLUG ASS'Y	12081

METRIC

BRUNING 40-21 40164