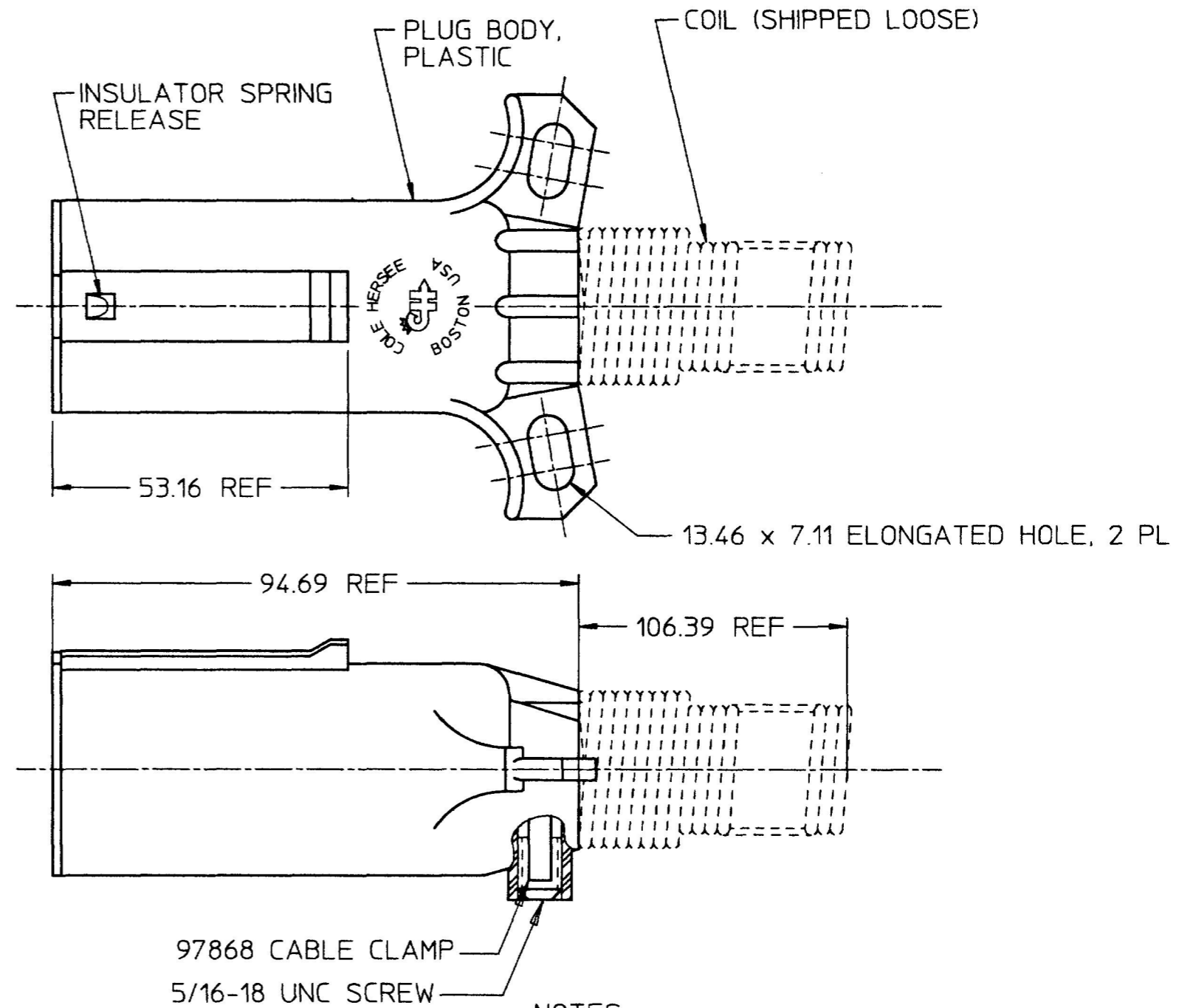
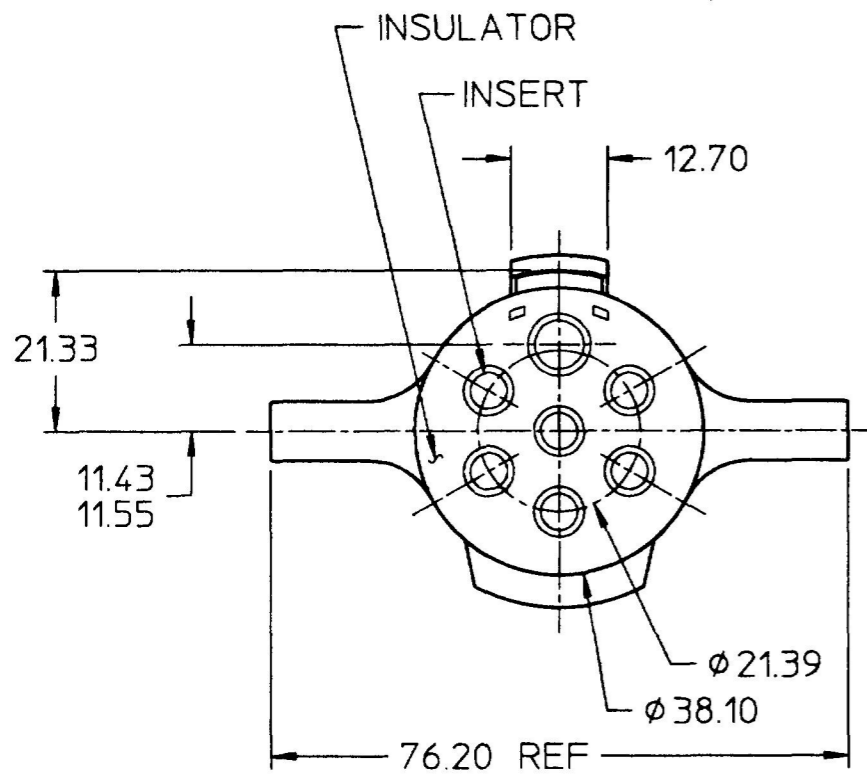


MM	IN
7.11	0.280
11.43	0.450
11.55	0.455
12.70	0.500
13.46	0.530
21.33	0.840
21.39	0.842
38.10	1.500
53.16	2.093
76.20	3.000
94.69	3.728
106.39	4.228
5.0mm <sup>2</sup>	10GA
8.0mm <sup>2</sup>	8GA



- NOTES:  
 1. CONFORMS TO S.A.E. STANDARD J 560 b  
 2. CURRENT CARRYING INSERTS BRASS  
 3. WILL ACCEPT UP TO 8.0mm<sup>2</sup> WIRE AT GROUND TERMINAL (WHITE) & UP TO 5.0mm<sup>2</sup> WIRE AT ALL OTHER TERMINALS

DO NOT SCALE

LET.	WAS	DATE	BY	LET.	WAS	DATE	BY	MATERIAL	DRAWN	CHK	APVD	SCALE	DATE DRAWN
									GR	AK		1:1	1/13/82
								FINISH	<b>Cole Hersee Co.</b> 20 OLD COLONY AVENUE, BOSTON, MA., U.S.A., 02127				DATE BLUEPRINTED
				C	PUT ON CAD	6/5/96	EB	TOLERANCES DECIMAL ± 0.25 ANGLE ±	<b>7 POLE PLUG ASSY</b>				<b>12082</b>
					ISSUED	10/25/82	RJF						

METRIC