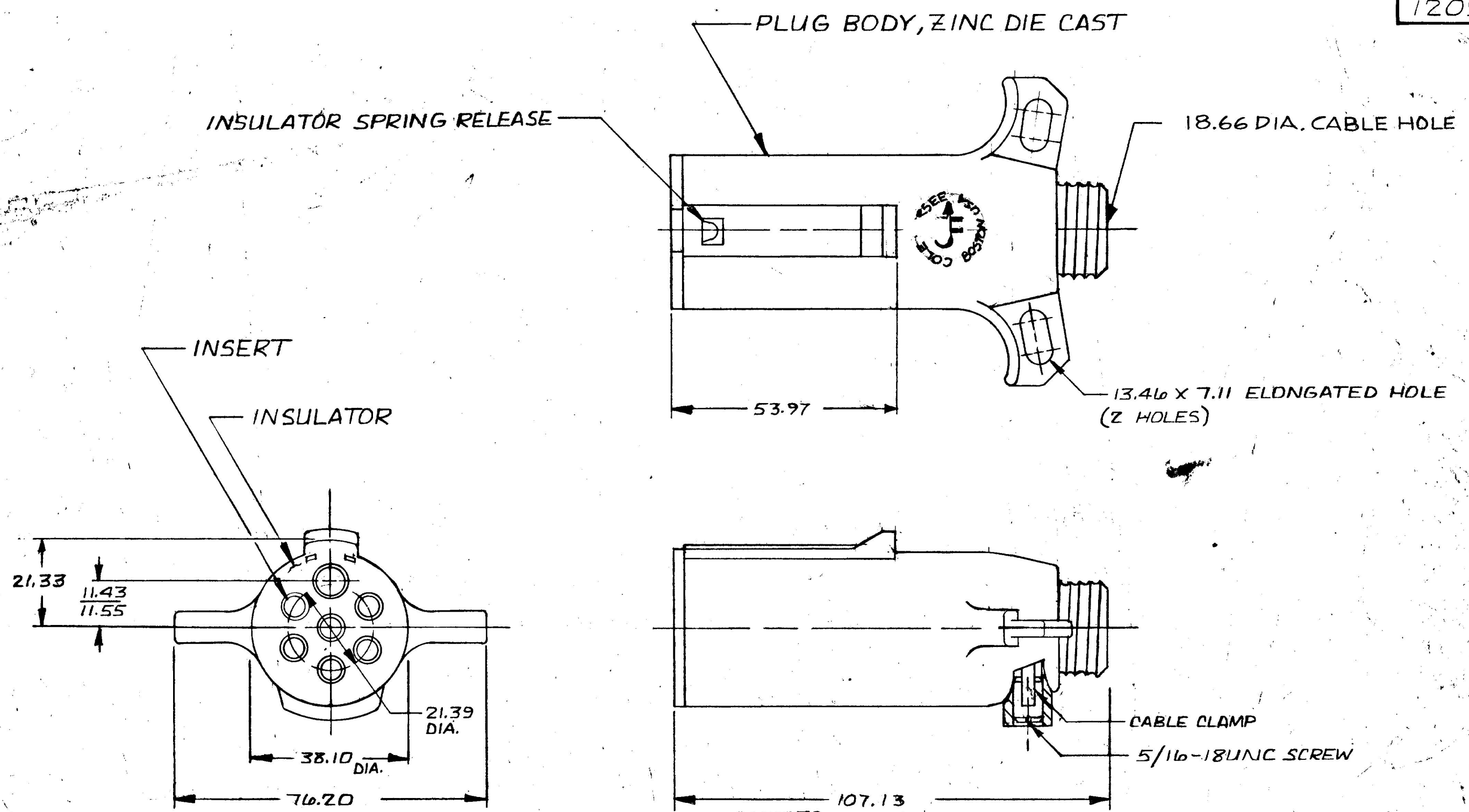


25	.010
7.11	.280
11.43	.450
11.55	.455
12.70	.500
13.46	.530
21.33	.840
21.39	.842
38.10	1.500
53.97	2.125
76.20	3.000
107.13	4.218
186.6	7.35

12091


COLE-HERSEE CO.



- NOTES
1. CONFORMS TO S. A. E. STANDARD J5606
 2. CURRENT CARRYING INSERTS BRASS
 3. WILL ACCEPT UP TO #8 GA. WIRE AT GROUND TERMINAL (WHITE) & UP TO #10 GA. WIRE AT ALL OTHER TERMINALS

METRIC

DO NOT SCALE

LET.	WAS	DATE	BY	LET.	WAS	DATE	BY	MATERIAL	DRAWN	CHECKED	APPR'D.	SCALE	DATE DRAWN
								#	(R)			1:1	1-12-82
								FINISH					DATE BLUEPRINT
								TOLERANCES	 Cole Hersee Co. <small>20 GOLD COLONY AVENUE SOUTH BOSTON MA, U.S.A. 02127</small>				12091
								DECIMAL ±					7 POLE PLUG ASS'Y
								METRIC ±.25					
					ISSUED	12-15-82							

BRUNING 40-21 40164