

MM	IN
7.25	.285
7.11	.280
11.43	.450
11.55	.455
12.70	.500
13.46	.530
21.33	.840
21.39	.842
21.33	.840
23.10	.910
29.97	1.180
76.20	3.000
104.77	4.125
107.13	4.218
18.66	.735

COLE-HERSEE CO.

INSULATOR SPRING RELEASE

PLUG BODY, ZINC DIE CAST WITH 18.66 DIA. CABLE HOLE

COIL (SHIPPED LOOSE)

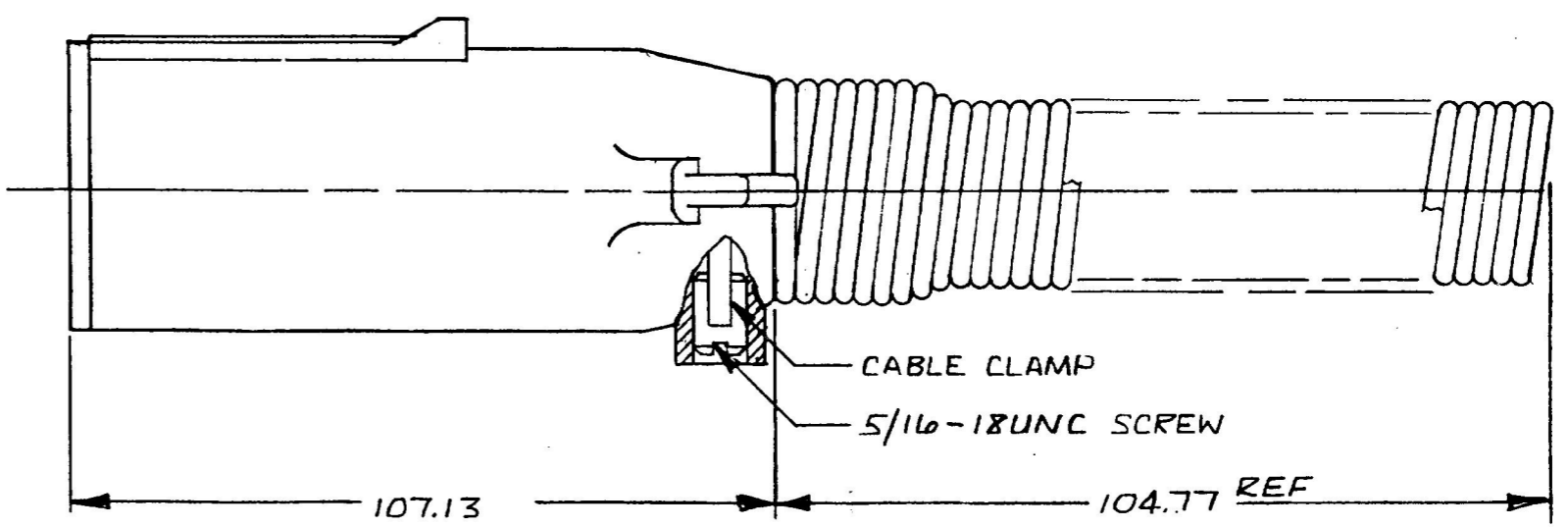
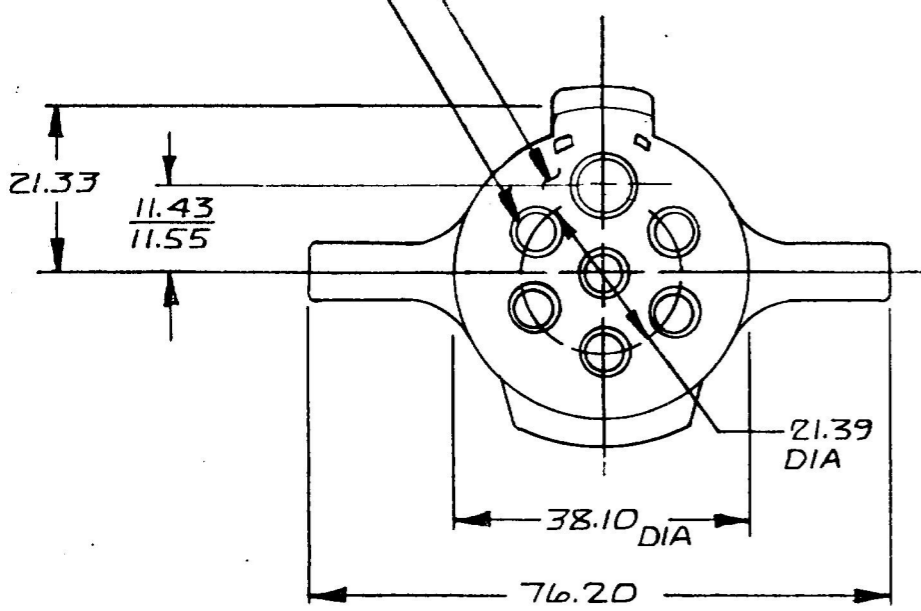
INSERT

INSULATOR



13.46 X 7.11 ELONGATED HOLE (2 HOLES)

53.97



NOTES:

1. CONFORMS TO S.A.E. STANDARDS J560b <sup>(A)</sup>
2. CURRENT CARRYING INSERTS BRASS
3. WILL ACCEPT UP TO #8 GA WIRE AT GROUND TERMINAL (WHITE) & UP TO #10 GA WIRE AT ALL OTHER TERMINALS

METRIC

DO NOT SCALE

LET.	WAS	DATE	BY	LET	WAS	DATE	BY	MATERIAL	DRAWN	CHECKED	APPRV'D	SCALE	DATE DRAWN
								#	(R)			1:1	1-13-82
								FINISH					DATE BLUEPRINT
				A	WAS J560b	12-22-82	D.B.	TOLERANCES					7 POLE PLUG ASS'Y
					ISSUED	12/15/82	K.F.	DECIMAL ±					12092
								METRIC ± .25					

BRUNING 40-21 40164