

4

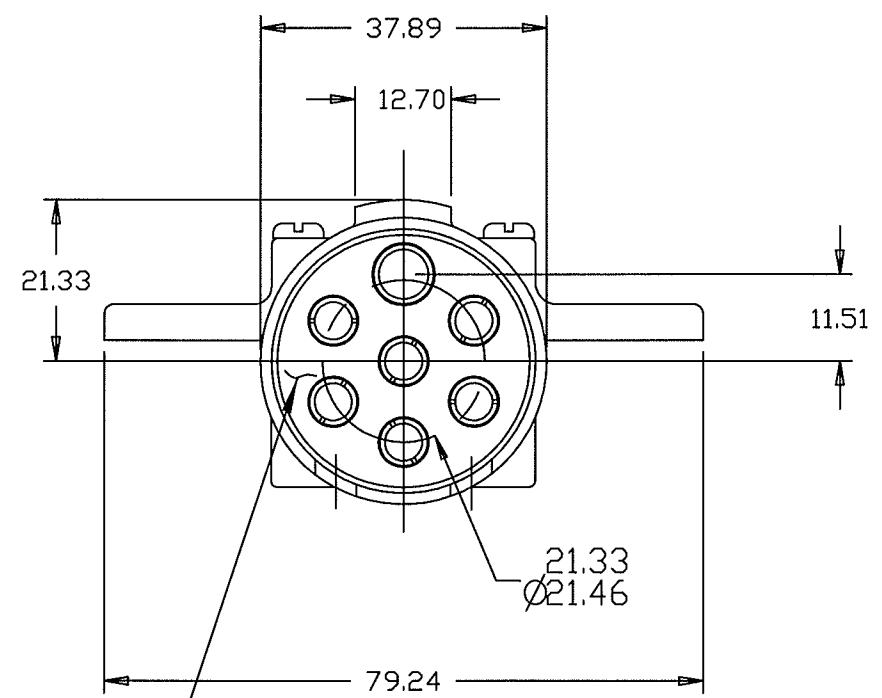
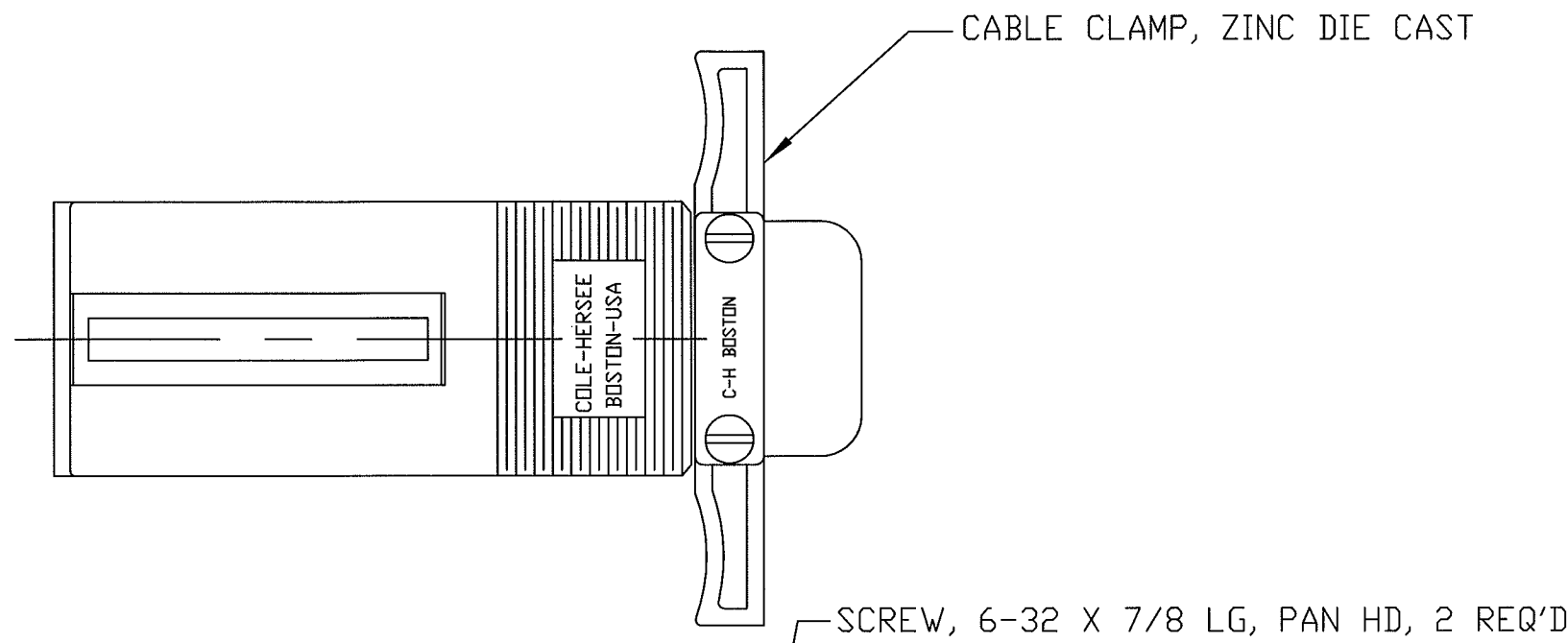
3



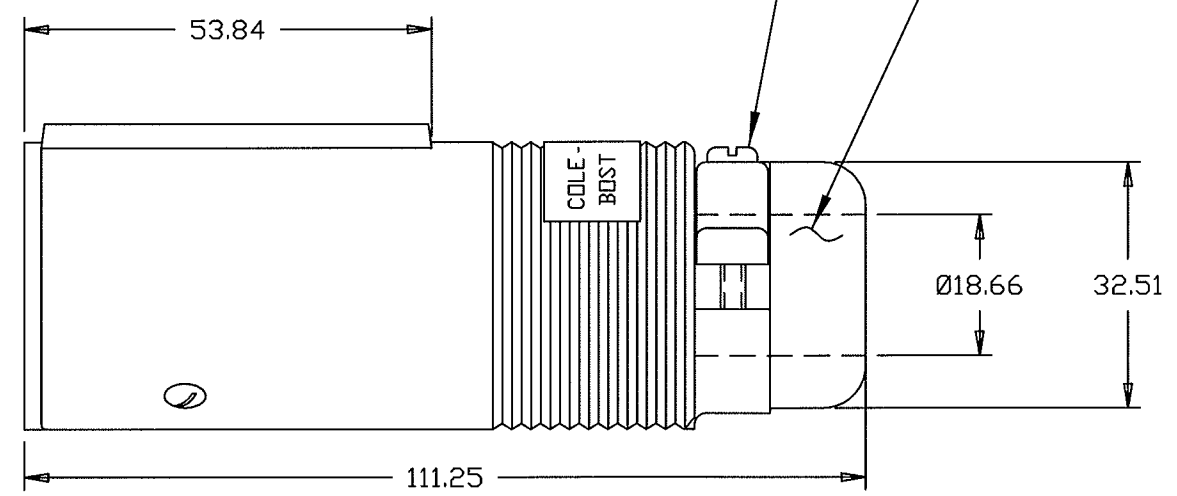
2

1

MM	IN
11.43	0.450
11.55	0.455
12.70	0.500
18.79	0.740
19.05	0.750
21.33	0.840
21.46	0.845
28.19	1.110
28.32	1.115
37.84	1.490
38.10	1.500
53.84	2.120
79.24	3.120
111.25	4.380
5.0mm	10 GA
8.0mm	8 GA



INTERIOR SA, PLASTIC (COLOR: BLACK)



- NOTES:
1. ALL DIMENSIONS REFERENCE ONLY UNLESS OTHERWISE SPECIFIED
 2. ALL STEEL PARTS PLATED
 3. CONFORMS TO SAE J560B
 4. CURRENT CARRYING INSERTS, PLATED BRASS
 5. WILL ACCEPT UP TO 8.0mm² WIRE AT GROUND TERMINAL, WHITE AND UP TO 5.0M² WIRE AT ALL OTHER TERMINALS
 6. PARTS MAYBE ASSEMBLED OR SUPPLIED IN A PLASTIC BAG
 7. MAX TORQUE ON SET SCREWS #8-32 OF 8 INCH/LBS

DO NOT SCALE

Revision Control Record				Rev.	Description of Change	ECN No.	Date	<p>Note: unless noted otherwise all dimension are AFTER plating Tolerances: Unless otherwise specifically noted, the following are default tolerances;</p> <p>2-places ± 0.02 [0.5] 3-places ± 0.005 [0.13] Angular ± 1'</p> <p>Unless otherwise specified dimensions are in inches. Dimensions in brackets [] are in millimeters.</p> <p>"REF" = Non-Toleranced Reference Dimension, shown for clarification purposes only.</p> <p>Note: All tolerances are Non-Cumulative.</p>	<p>PROPRIETARY INFORMATION</p> <p>All information contained herein, is proprietary to the Cole Hersee Company. Unauthorized use or reproduction is prohibited.</p>	Special Characteristics:		<p>Phn: 617-268-2100 Web: www.colehersee.com</p>	
Rev.	Description of Change	ECN No.	Date	<input checked="" type="checkbox"/> Critical Characteristic, relating to Safety and/or Regulatory Compliance <input checked="" type="checkbox"/> Significant Characteristic relating to Process Control <input checked="" type="checkbox"/> Control Dimension relating to Form - Fit - Function as defined by Cole Hersee Company and/or the Customer	Description:								
EF	ADD TORQUE SPEC.	13027	01/28/13							3RD ANGLE PROJECTION	Scale: 1:1 Drawn BY: DM Date Drawn: 07/17/50 Pg. 1 of 1		TRAILER PLUG, 7-POLE
													Drawing / Part No.: 1222 Current Rev.: EF

4

3



2

1