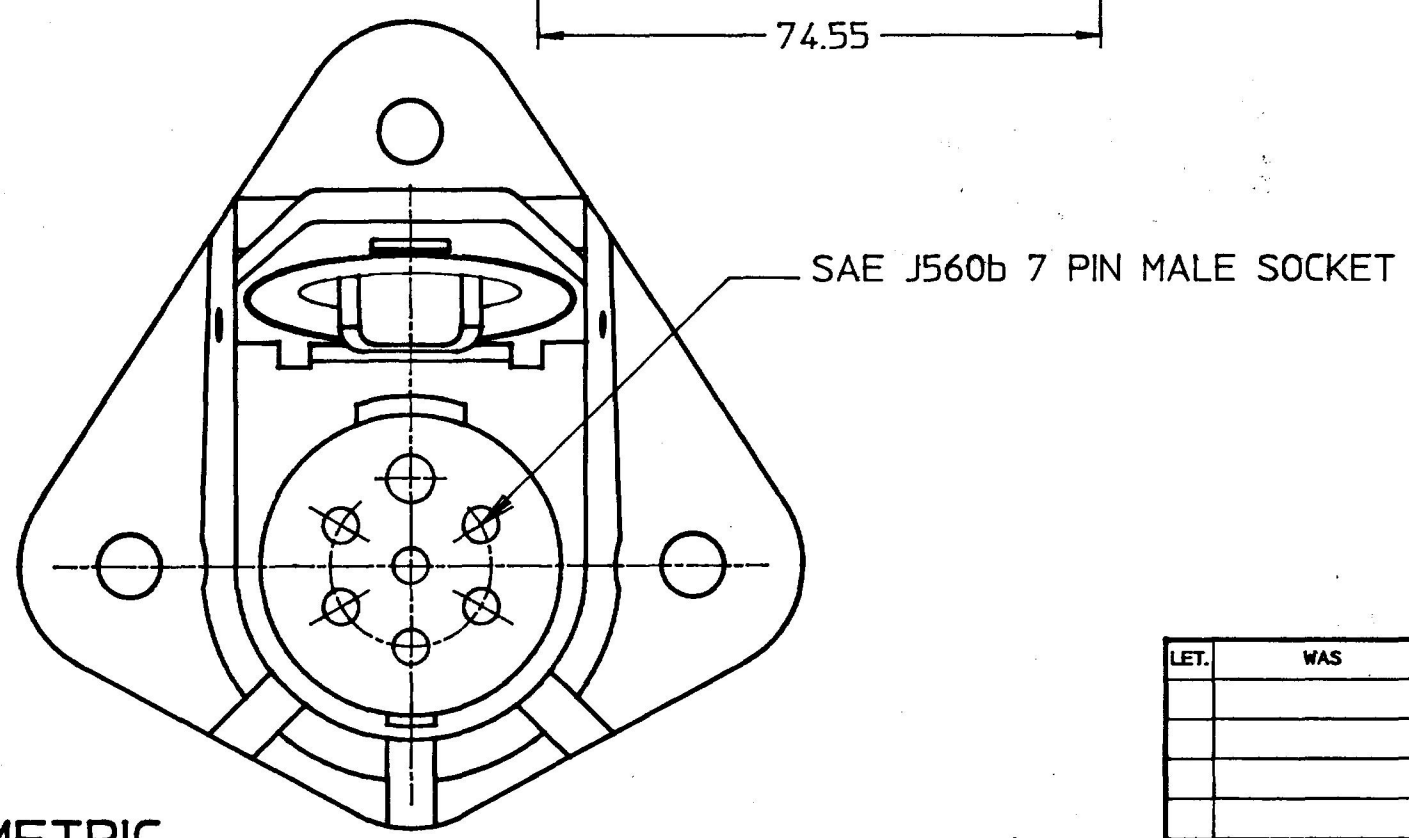
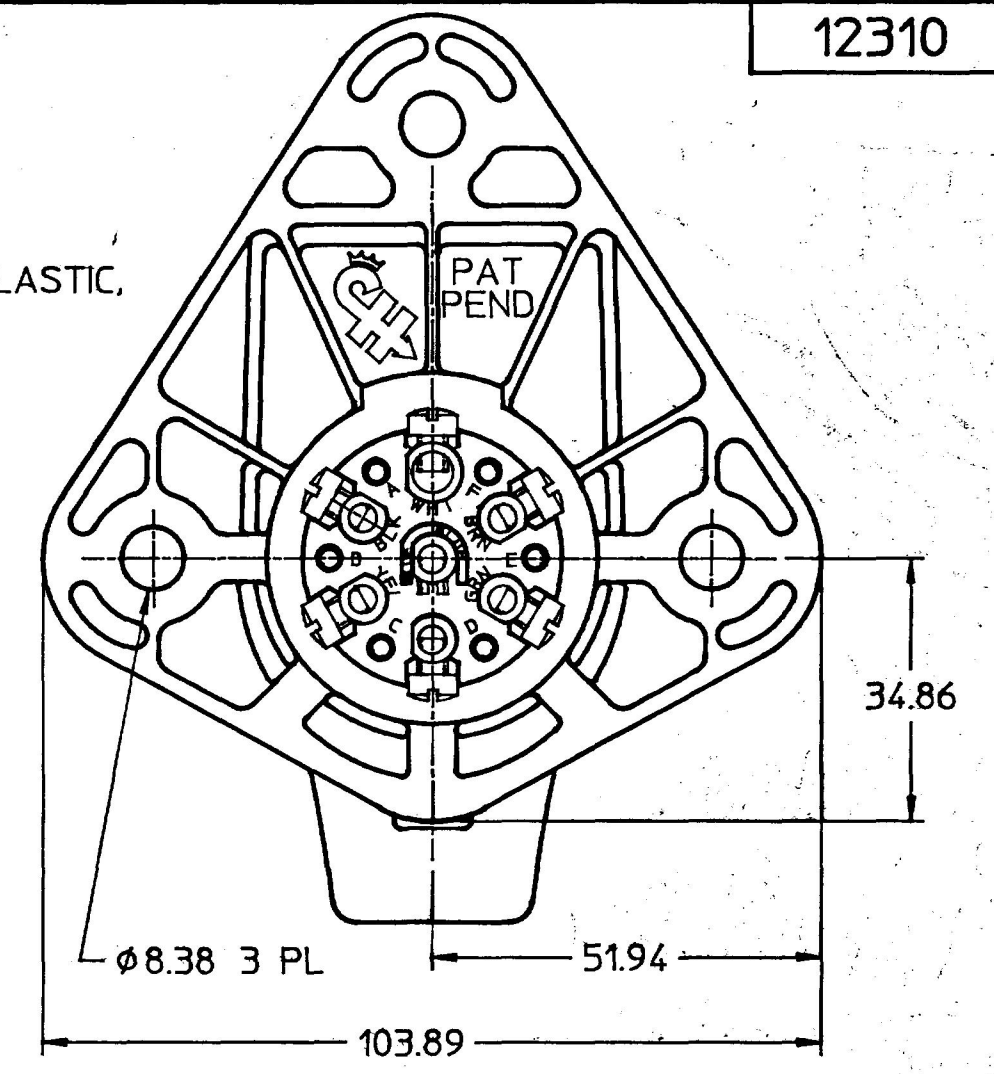
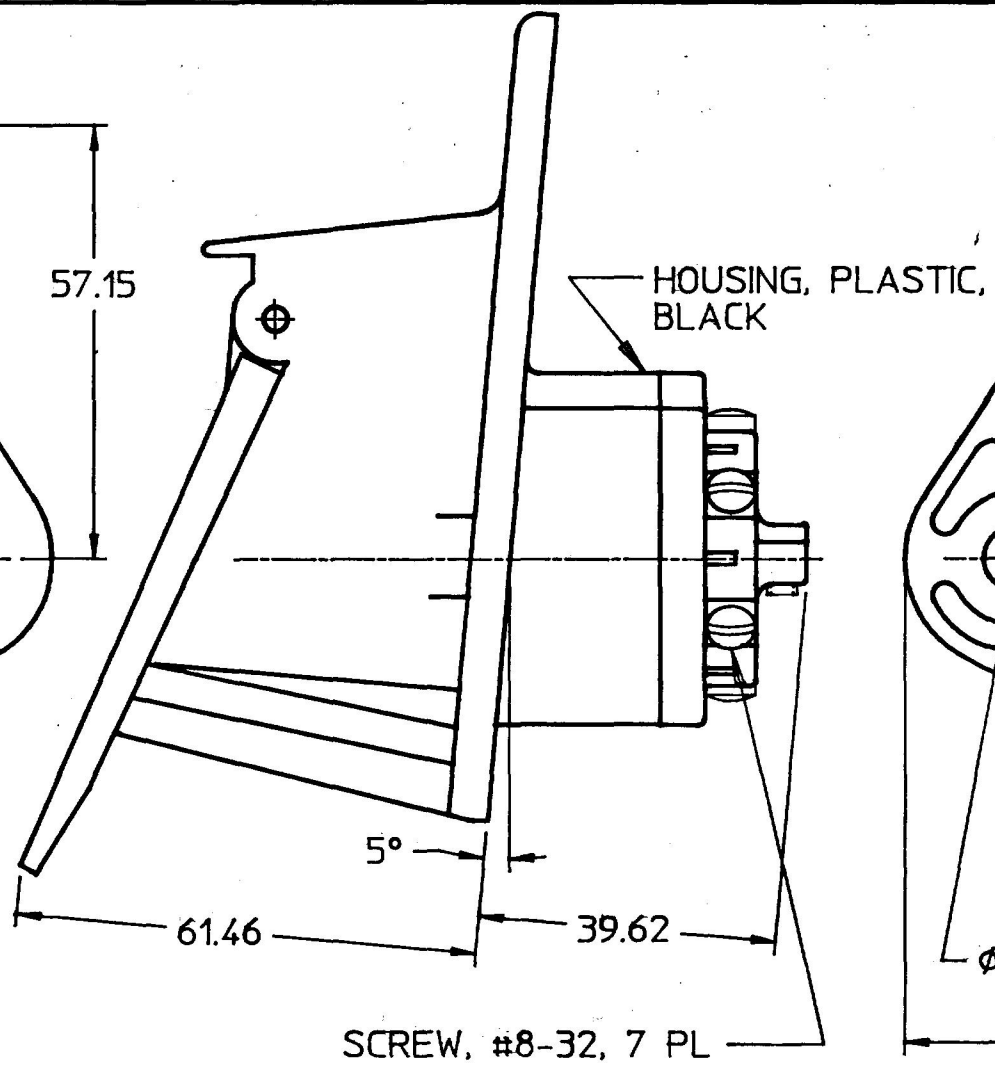
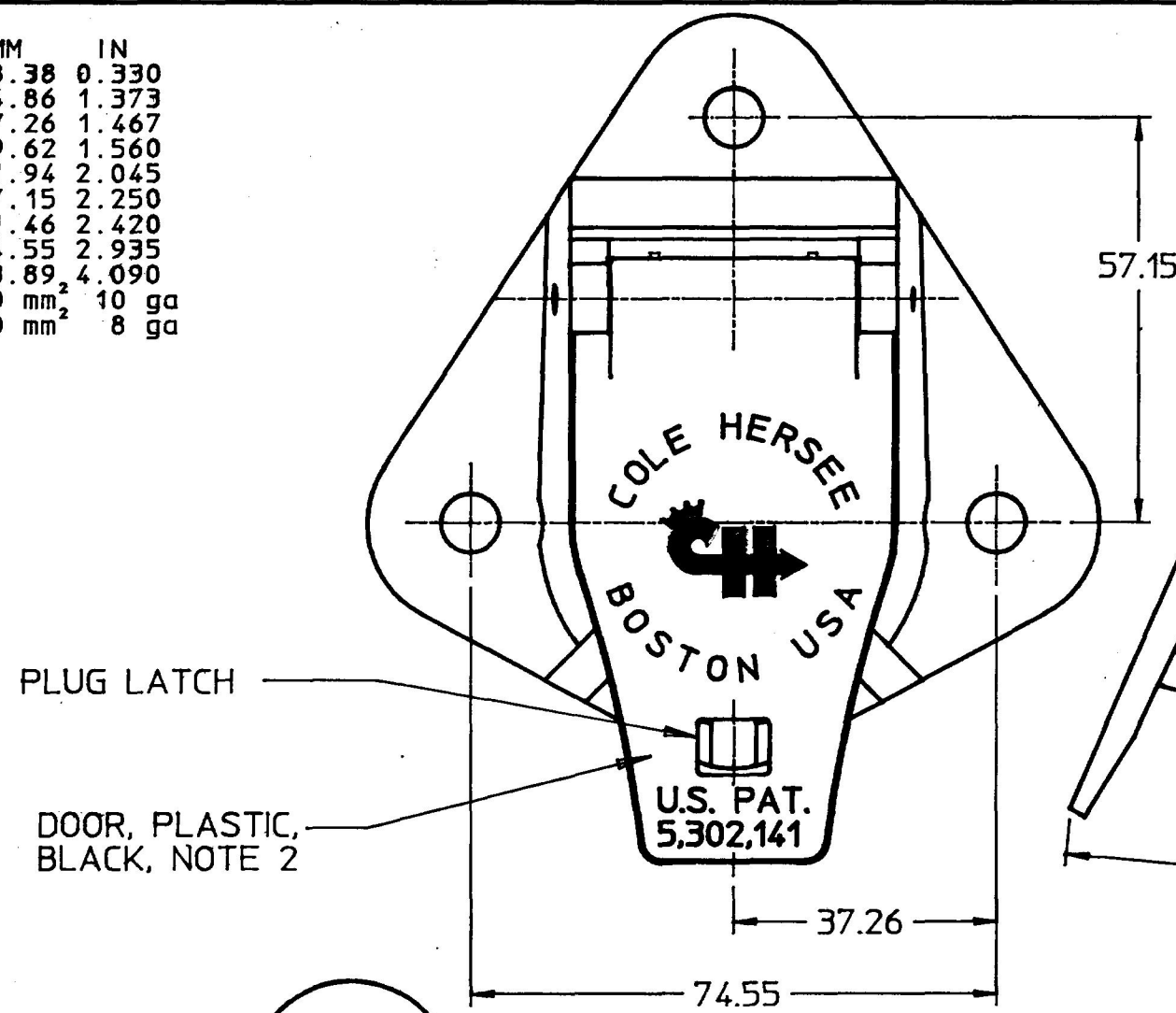


12310

MM	IN
8.38	0.330
34.86	1.373
37.26	1.467
39.62	1.560
51.94	2.045
57.15	2.250
61.46	2.420
74.55	2.935
103.89	4.090
5.0 mm ²	10 ga
8.0 mm ²	8 ga



- NOTES:
1. ALL DIMENSIONS REFERENCE ONLY
 2. GASKET SEAL BETWEEN DOOR AND HOUSING
 3. WHITE TERMINAL WILL ACCEPT UP TO 8.0 mm WIRE LEAD. BLACK, BLUE, BROWN, GREEN, RED AND YELLOW TERMINALS WILL ACCEPT UP TO 5.0 mm² WIRE LEADS.

DO NOT SCALE

LET.	WAS	DATE	BY	LET.	WAS	DATE	BY	MATERIAL	DRAWN	CHK	APVD	SCALE	REF	DATE DRAWN
									DPS	MF		1:1	12300	8/23/93
								FINISH	Cole Hersee Co. 20 OLD COLONY AVENUE, BOSTON, MA, U.S.A. 02127					DATE BLUEPRINTED
								TOLERANCES	7 PIN SOCKET					12310
								DECIMAL ±						
								ANGLE ±						
								ISSUED	4/28/94 MF					

METRIC