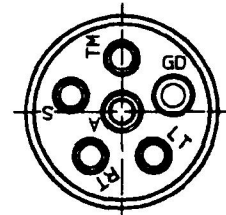
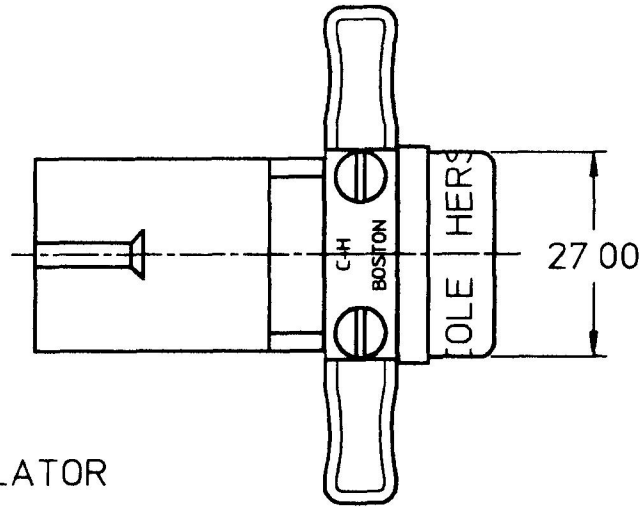
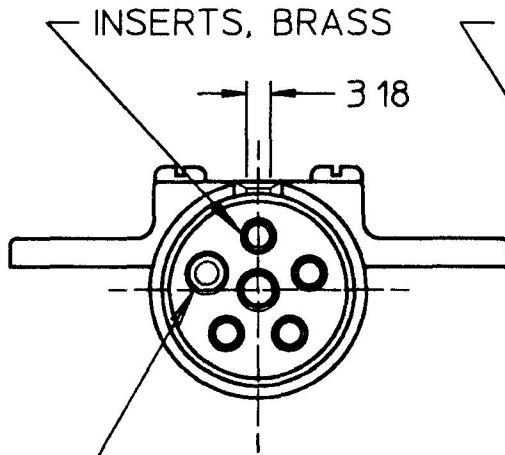


1236

MM	IN
0 13	0 005
3 18	0 125
3 96	0 156
4 74	0 187
15 24	0 600
16 21	0 638
19 05	0 750
27 00	1 063
65 53	2 580

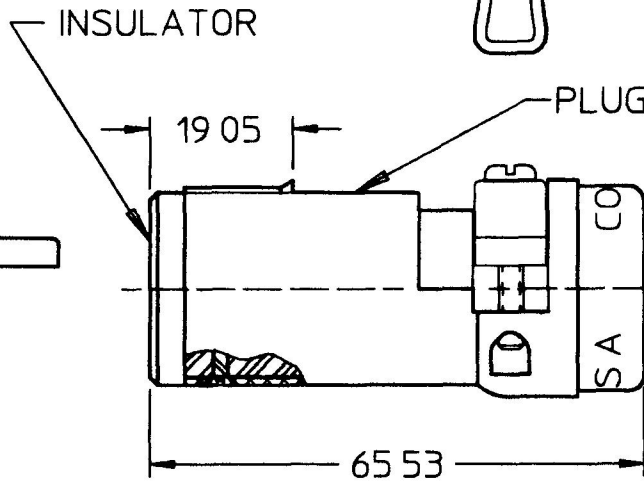


TERMINAL MARKINGS



INSERTS, BRASS

3 18

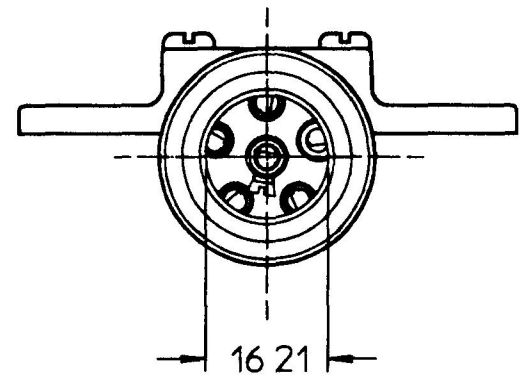


INSULATOR

19 05

PLUG BODY, ZINC DIE CAST

65 53



16 21

GROUND INSERT 4 74 DIA HOLE
OTHER INSERTS, (5), 3 96 DIA HOLES

NOTES

- 1 ALL DIMENSIONS ARE REFERENCE ONLY
- 2 ALL STEEL PARTS PLATED
- 3 TO RECEIVE 15 24 DIA CABLE & CLAMP SECURELY THRU TOOTH-BITE PRINCIPLE

METRIC

DO NOT SCALE

LET	WAS	DATE	BY	LET	WAS	DATE	BY	MATERIAL NOTED	DRAWN	CHK	APVD	SCALE	DATE DRAWN
									DJM			11	07/14/50
								FINISH NOTED	Cole Hersee Co. 20 OLD COLONY AVENUE, BOSTON, MA, U.S.A. 02127				DATE BLUEPRINTED
				Y	ECN #99023	02/08/99	MCB	TOLERANCES	6 WAY TRAILER CONNECTOR PLUG ASSY				1236
				X	PUT ON CAD	1/27/98	JMP	DECIMAL ± ANGLE ±					