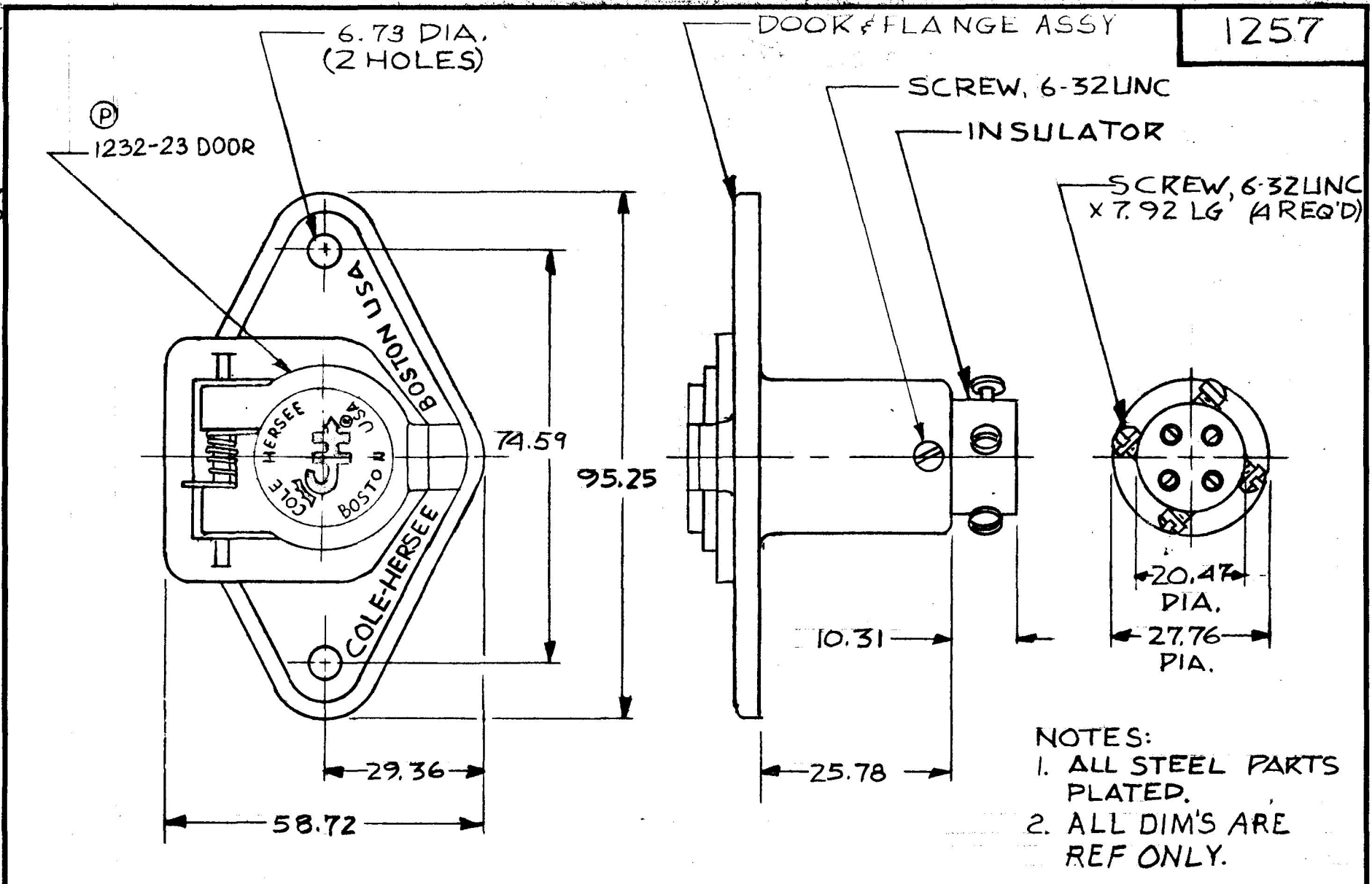


MM IN
 6.73 .265
 10.31 .406
 14.27 .562
 20.47 .806
 25.78 1.015
 27.76 1.093
 29.36 1.156
 58.72 2.312
 74.59 2.937
 92.25 3.750
 7.92 .312




1257

NOTES:
 1. ALL STEEL PARTS PLATED.
 2. ALL DIM'S ARE REF ONLY.

METRIC

DO NOT SCALE

LET.	WAS	DATE	BY	LET	WAS	DATE	BY	MATERIAL	DRAWN	CHECKED	APPR'D	SCALE	DATE DRAWN
								#	LMC			1:1	10-8-54
								FINISH	 20 OLD COLONY AVENUE, SOUTH BOSTON, MA, U.S.A. 02127				DATE BLUEPRINT
							#	TOLERANCES					AWAY MALE TRAILER CONNECTOR ASS'Y
				P	NEW DOOR / 23125	8-29-86	ZU	DECIMAL ± .010					
				N	REVISED & REDRAWN	2-8-82	PB	METRIC ± .25					

CH-188(4-78)