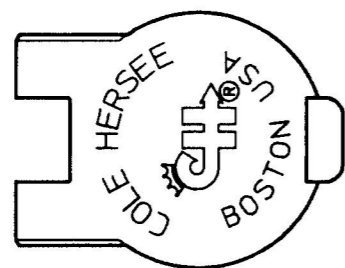
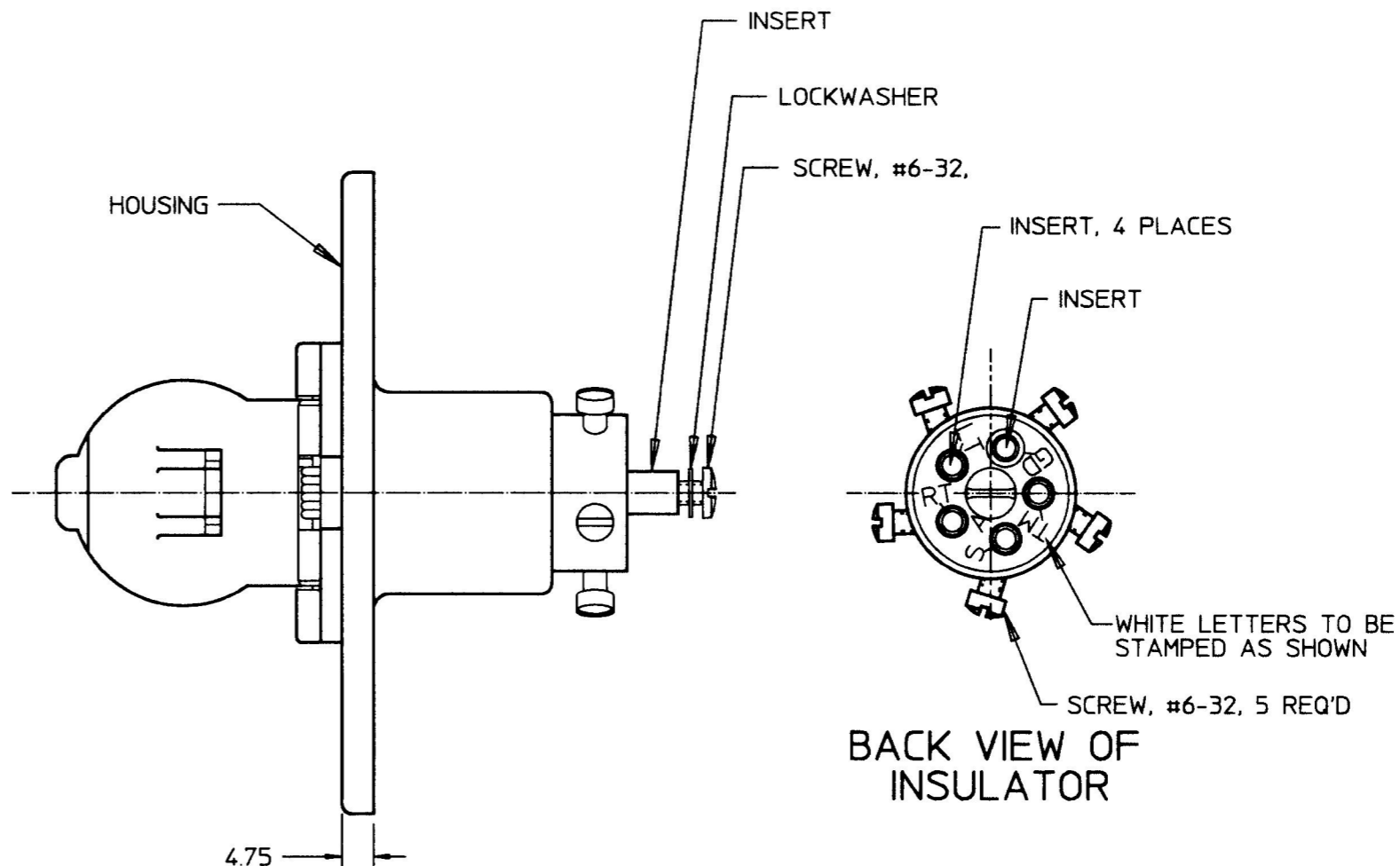
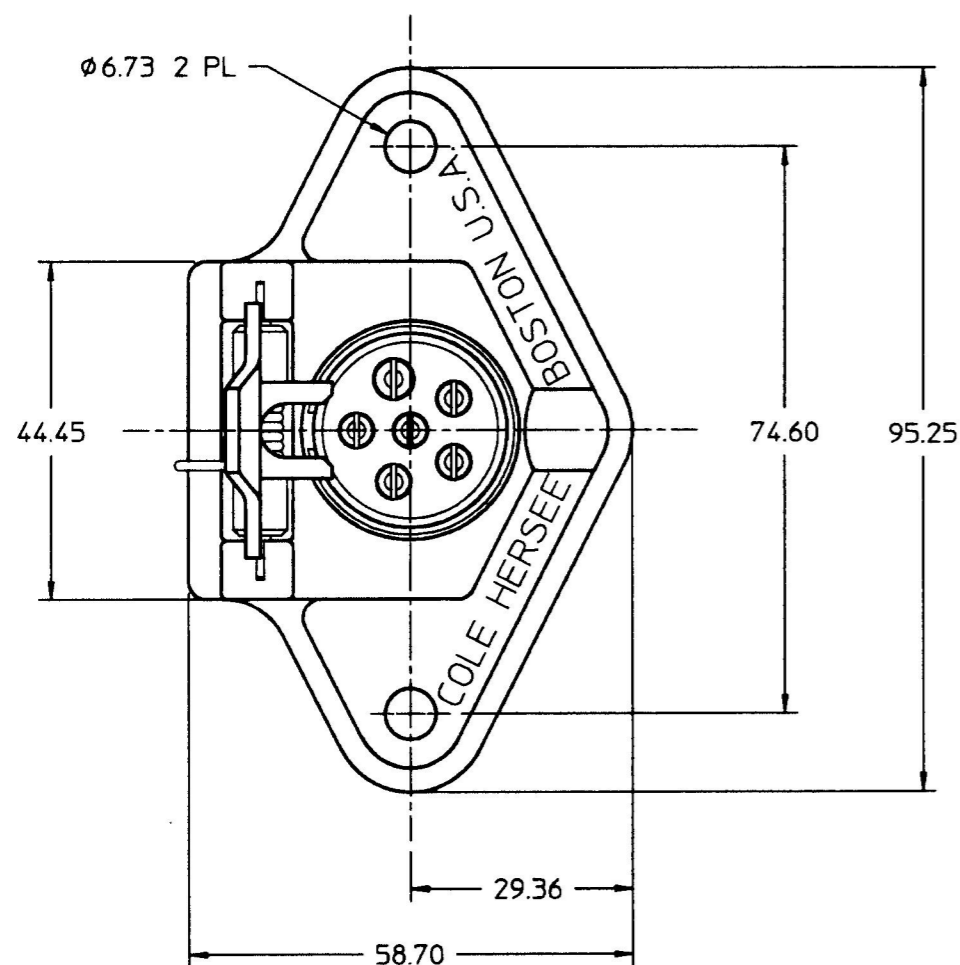
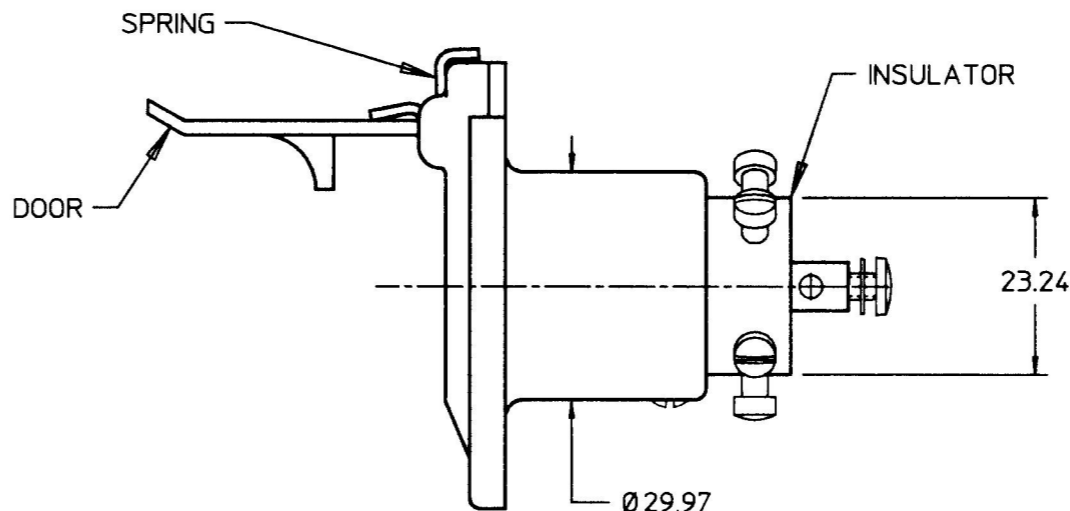


MM	IN
4.75	0.187
6.73	0.265
23.24	0.915
29.36	1.156
29.97	1.180
44.45	1.750
58.70	2.312
74.60	2.937
95.25	3.750



FRONT VIEW OF DOOR



BACK VIEW OF INSULATOR

- NOTE:
1. ALL STEEL PARTS PLATED
  2. ALL DIMENSIONS ARE REFERENCE ONLY
  3. NOT SELF GROUNDED
  4. DOOR SHOWN OPEN FOR CLARITY

DO NOT SCALE

Terminal	Description
GR	GROUND
TM	TAIL AND MARKER
S	STOP LAMP
RT	RIGHT TURN SIGNAL
LT	LEFT TURN SIGNAL
A	DOMES AND ACCESSORY

**TERMINAL MARKINGS**

METRIC

LET.	WAS	DATE	BY	LET.	WAS	DATE	BY	MATERIAL	DRAWN	CHK	APVD	SCALE	DATE DRAWN
								---	GFC	DPB		1:1	7/20/54
								FINISH NOTED	<b>Cole Hersee Co.</b> 20 OLD COLONY AVENUE, BOSTON, MA., U.S.A., 02127				DATE BLUEPRINTED
								TOLERANCES DECIMAL ± ANGLE ±	<b>6 WAY TRAILER CONNECTOR ASSEMBLY</b>				1258
				R	PUT ON CAD	2/3/98	JMP						