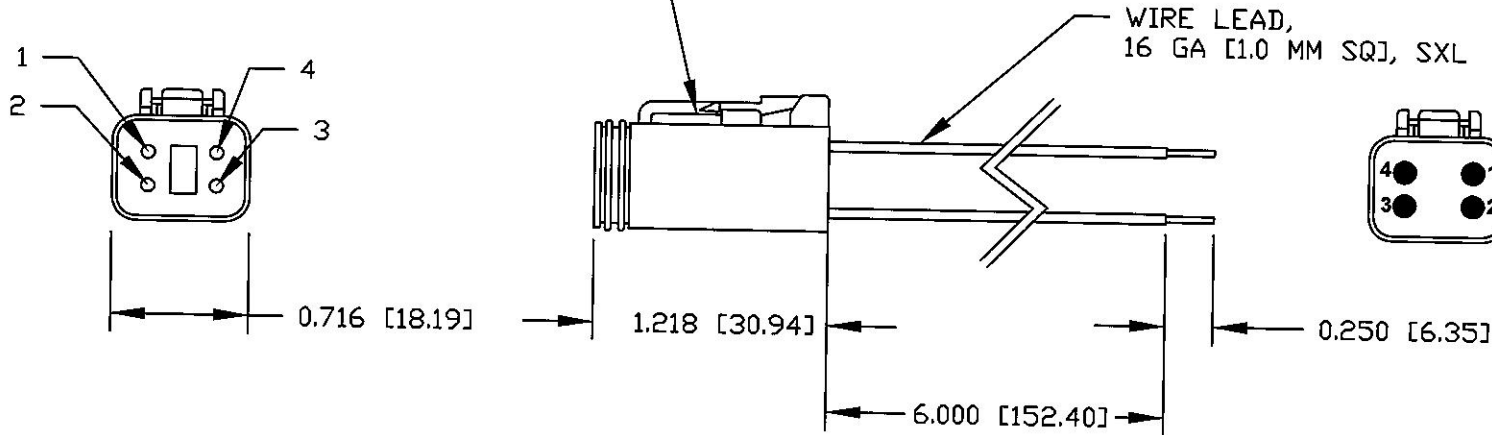


Revision Control Record

Rev.	Description of Change	ECN No.	Date
A	RELEASED DRAWING	08236	05/05/08
B	CHANGE BOM	09247	04/09/09

HOUSING: DEUTSCH DT06-4S,
 TERMINAL: DEUTSCH 0462-201-16141, 4P
 WEDGE: DEUTSCH W4S



NOTES:
 1. ALL DIMENSIONS ARE REFERENCE ONLY

LENGEND	
4	ORANGE
3	WHITE
2	PURPLE
1	BLACK
POS	COLOR

Tolerances Unless otherwise specifically noted, the following are default tolerances:
2-places +/- 0.02"
3-places +/- 0.005"
Angular +/- 1'
 Metric: Shown in [] refers to equivalent English Dim Tol
 "REF." or an Asterisk (*) = Non-Toleranced Reference Dimension, shown for clarification purposes only.
 NOTE: All tolerances are Non-Cumulative.

PROPRIETARY INFORMATION
 This Engineering Drawing, and the information contained herein, is proprietary to Cole Hersee Company and may not be disclosed, re-produced, or in any other way transferred or communicated to any other party without the express written consent of an authorized representative of Cole Hersee Company.

- Special Characteristics:**
- CC** Critical Characteristic, relating to Safety and/or Regulatory Compliance
 - X** Significant Characteristic relating to Process Control
 - KC** Control Dimension relating to Form - Fit - Function as defined by Cole Hersee Company and/or the Customer



Cole Hersee Co.

20 Old Colony Ave., South Boston, MA, 02127
 Phn: 617-268-2100 Web: www.colehersee.com

Description:

CABLE ASSY, 4 P, M

Drawing / Part No.:

12804

Current Rev.

B