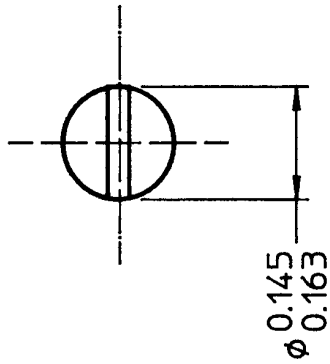
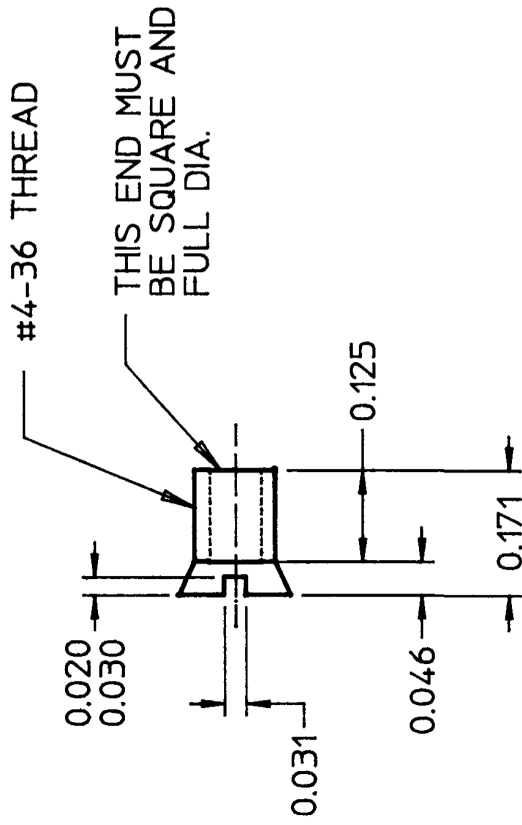


1465-5



NOTES:
1. MATERIAL: BRASS
2. FINISH: SEE CHART

1465-5A	ZN15
1465-5	NONE
PART NO.	FINISH

Ⓛ

LET		WAS	DATE	BY	LET	WAS	DATE	BY	MATERIAL NOTED	DRAWN PG	CHK	APVD	SCALE	DATE DRAWN
									FINISH NOTED	PF			4:1	10/14/47
									TOLERANCES DECIMAL ± 0.005 ANGLE ±					DATE BLUEPRINTED
					L	EON 25525	1/25/94	BL						1465, 2184
					K	PUT ON CAD	6/29/89	LIZ						1465-5

CH Cole Hersee Co.
20 OLD COLONY AVENUE, BOSTON, MA, U.S.A. 02127

SCREW, FLAT HEAD

DO NOT SCALE