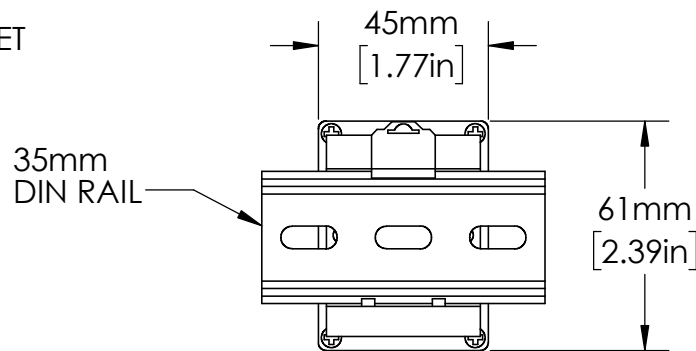
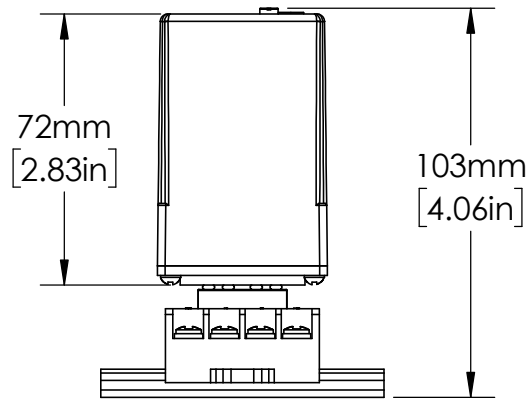


OT08PC  
RELAY SOCKET



UNLESS NOTED OTHERWISE  
DIMENSIONS ARE IN INCHES  
TOLERANCES:  
TWO PLACE DECIMAL ±0.05  
NOT DRAWN TO SCALE



DESCRIPTION:  
PUMP CONTROL, SINGLE-CHANNEL  
SEAL-LEAK DETECTION

PART NUMBER: 201-100-SLD

REV  
A



MATERIAL

NAME	DATE
DRAWN BY JMOLER	03-06-23