

Voltage Monitoring Relays

201A Series

3-Phase Voltage/Phase Monitor



Description

The 201A series is a three-phase, auto-ranging, dual-range voltage monitor that protects 190–480 V ac, 50*/60 Hz motors regardless of their size. This monitor provides a user-selectable nominal voltage setpoint and will automatically select between the 200 V and 400 V range. It includes advanced, single LED diagnostics where color and light patterns distinguish between faults and normal conditions. This unique microcontroller-based voltage and phase-sensing unit constantly monitors the three-phase voltages to detect harmful power line conditions. When a harmful condition is detected, the output relay is deactivated after a specified trip delay. The output relay reactivates after power line conditions return to acceptable levels for a specified restart delay time.

*Note: 50 Hz will increase all delay times by 20%.

Features & Benefits

FEATURES	BENEFITS
Proprietary microcontroller-based circuitry	Constant monitoring of single-phase, low-voltage, voltage unbalance, phase reversal, power line conditions – high-voltage monitoring is optional
Auto-sensing wide voltage range	Automatically senses system voltage between 190–480 V ac. Saves setup time
Advanced LED diagnostics	LED indications include: normal operation, power-up restart delay, reverse-phase trip, unbalance/single-phase trip, high/low voltage trip
Compact design for 8-pin; DIN-rail or surface mount	Allows flexibility in panel installation

Applications

- Fan motors
- Air conditioners
- Compressors
- Heat, well, and sump pumps
- Small conveyer motors

Voltage Monitoring Relays

201A Series

Specifications

Frequency	50/60 Hz
Functional Characteristics	
Low Voltage (% of setpoint)	
Trip	90% ±1%
Reset	93% ±1%
Voltage Unbalance (NEMA)	
Trip	6%
Reset	4.5%
Optional High Voltage (% of setpoint)	
Trip	110% ±1%
Reset	107% ±1%
Trip Delay Time	
High/Low Voltage Fault	4 seconds
Unbalance & Phasing Faults	2 seconds
Restart Delay Time	
After a Fault	2 seconds
After a Complete Power Loss	2 seconds
Output Characteristics	
Output Contact Rating (SPDT)	
Pilot Duty	480 VA @ 240 V ac
General Purpose	10 A @ 240 V ac
General Characteristics	
Temperature Range	-20° to 70 °C (-4° to 158 °F)
Trip & Reset Accuracy	±1%
Maximum Input Power	5 W
Relative Humidity	10–95%, non-condensing per IEC 68-2-3
Terminal Torque	12 in.-lbs. (for OT08-PC socket)
Wire Gauge	12–22 AWG solid or stranded
Transient Protection (Internal)	2500 V for 10 ms
Standards Passed	
Electrostatic Discharge (ESD)	IEC 61000-4-2, Level 3, 6 kV contact, 8 kV air
Radio Frequency Immunity (RFI), Radiated	150 MHz, 10 V/m
Fast Transient Burst	IEC 61000-4-4, Level 3, 3.5 kV input power & controls
Surge	
Immunity	IEC IEC 61000-4-5, Level 3, 4 kV line-to-line; Level 4, 4 kV line-to-ground
ANSI/IEEE	C62.41 Surge and Ring Wave Compliance to a level of 6 kV line-to-line
Hi-potential Test	Meets UL508 (2 x rated V + 1000V for 1 min.)
Dimensions	H 44.45 mm (1.75"); W 60.33 mm (2.38"); D (with socket) 104.78 mm (4.13")
Weight	0.7 lbs. (11.2 oz., 317.51 g)
Mounting	Method DIN-rail or surface mount (plug in to OT08PC socket)
Socket Available	Model OT08PC (UL Rating 600 V)

The 600 V socket can be surface mounted or installed on DIN Rail.

Note: Manufacturer's recommended screw terminal torque for the OT Series Octal Sockets is 12 in.-lbs.

Must use Model OT08PC socket for UL Rating!

Certification & Compliance

UL

UL 508 (File #E68520)

Voltage Monitoring Relays

201A Series

Accessories

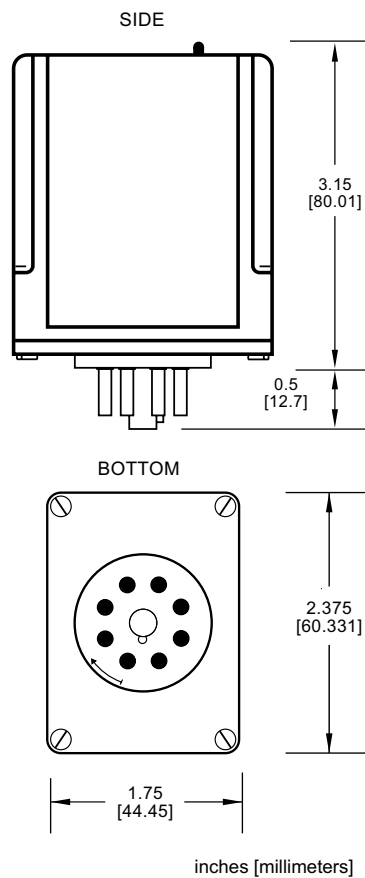
OT08PC Octal 8-pin Socket

8-pin 35 mm DIN-rail or surface mount. Rated at 10 A @ 600 V ac. Surface mounted with two #6 screws or snaps onto a 35 mm DIN-rail.

Ordering Information

MODEL	LINE VOLTAGE	DESCRIPTION
201A	190–480 V ac	DIN-rail or surface mountable
201A-9	190–480 V ac	Includes high voltage detection. DIN-rail or surface mountable

Dimensions Inches (mm)

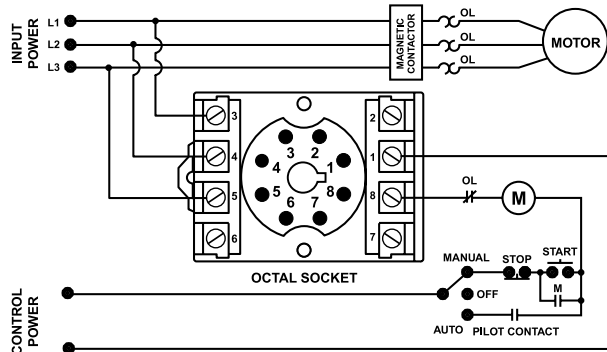


Voltage Monitoring Relays

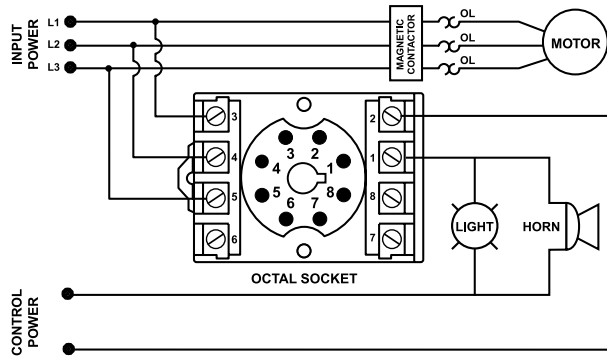
201A Series

Wiring Diagram

201A WITH MOTOR CONTROL



201A WITH ALARM CONTROL



Disclaimer Notice – Information furnished is believed to be accurate and reliable. However, users should independently evaluate the suitability of and test each product selected for their own applications. Littelfuse products are not designed for, and may not be used in, all applications. Read complete Disclaimer Notice at www.littelfuse.com/product-disclaimer.