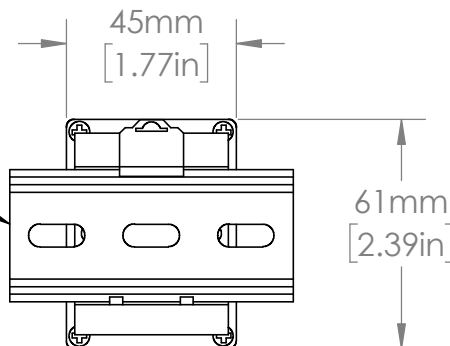


OT08PC  
RELAY SOCKET

35mm  
DIN RAIL



UNLESS NOTED OTHERWISE  
DIMENSIONS ARE IN INCHES  
TOLERANCES:  
TWO PLACE DECIMAL ±0.05  
NOT DRAWN TO SCALE



DESCRIPTION:  
VOLTAGE/PHASE MONITORING

PART NUMBER:  
201A-SERIES

REV  
A



MATERIAL	NAME	DATE
	JMOLER	10/21/22