

Motor and Pump Protection Relays

232-INSIDER

Single-Phase Pump Monitor



Description

The single-phase 232-Insider PumpSaver® fits inside 1/3, 1/2, 3/4, and 1 hp, 230 V Grundfos control boxes. The PumpSaver 232-Insider is designed to protect single-phase pumps from dry-well, dead-head, jammed impellers, overvoltage, and undervoltage conditions. Typical applications include residential water wells, commercial water wells, irrigation wells, and golf course systems.

A calibration adjustment allows the 232-Insider to be calibrated to your specific pumping application, reducing the possibility of false or nuisance tripping. A unique microcontroller-based voltage and current-sensing circuit constantly monitors the incoming power for fluctuations, overcurrent, and undercurrent. When an abnormality, such as loss of suction is detected, the 232-Insider deactivates its output relay and directly disconnects the pump motor. The 232-Insider then begins its user-selectable restart delay (dry-well recovery) timer. When the timer counts to zero or power is removed and reapplied, the 232-Insider reactivates its output relay and turns the pump back on. By leaving the restart delay knob in the reset position, the 232-Insider will operate in manual reset mode. An infrared LED communicates directly with a hand-held diagnostic tool called the Informer*.

Note: The use of flow restrictors or unusually high head pressures at the time of calibration may interfere with the detection of dead-head conditions.

*The Informer: a hand-held diagnostic tool that uses an infrared receiver to access information that can be helpful for troubleshooting the system (sold separately).

Features & Benefits

FEATURES	BENEFITS
Proprietary microcontroller-based circuitry	Constant monitoring of voltage and current status for maximum protection
Adjustable restart delay	Allows user to select well recovery time delay after a dry-well condition n occurs, or to select manual reset
Built-in IR communications link	Used with the Informer, allows user to see stored faults, run time, and troubleshoot while the pump is running
LED indication	Provides status and diagnostics for troubleshooting

Applications

- Residential and commercial water wells
- Irrigation wells
- Golf course systems

Motor and Pump Protection Relays

232-INSIDER

Specifications

Functional Characteristics

1 Phase Line Voltage ($\pm 10\%$)	230 V ac
Load Range	$\frac{1}{3}$ –1 hp
Frequency	50*/60 Hz

Operating Points

Overload	125 % of Cal. Point
Underload (dry well)	80 % or 87 % of calibrated run power
High Voltage Reset Point	265
Low Voltage Reset Point	190
Trip Delay Time (Overload)	5 sec.
Trip Delay Time (Dry well)	4 sec.

Restart Delay Time

Overvoltage/Undervoltage Delay	2 sec.
All other faults (dry-well rec. timer)	Manual, 2–225 min.
Output Contact Rating (SPST)	1 hp @ 240 V ac (17 amps max.)
Weight	10 oz.
Power Consumption	5 Watts (max.)

*Note: 50 Hz will increase all delay timers by 20 %

Certification & Compliance

cULus	UL 508
-------	--------

Accessories

Informer

A hand-held diagnostic tool that uses an infrared receiver to access information which can be helpful for troubleshooting the system.

Ordering Information

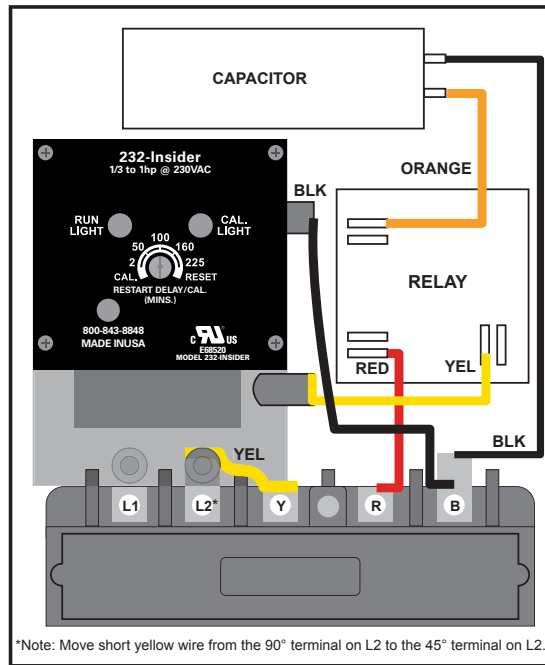
MODEL	VOLTAGE	DESCRIPTION	MOUNTING METHOD
232-Insider	230 V ac	1/3–1 hp	Inside a Grundfos® control box

Motor and Pump Protection Relays

232-INSIDER

Simplified Wiring Diagram

232-INSIDER CONNECTIONS IN GRUNDFOS* CONTROL BOX



For installation instructions see the Fresh Water Pumping Catalog.

Disclaimer Notice – Information furnished is believed to be accurate and reliable. However, users should independently evaluate the suitability of and test each product selected for their own applications. Littelfuse products are not designed for, and may not be used in, all applications. Read complete Disclaimer Notice at www.littelfuse.com/product-disclaimer.