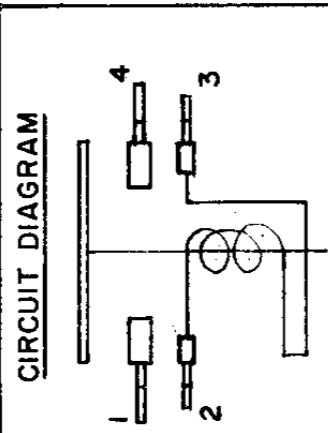
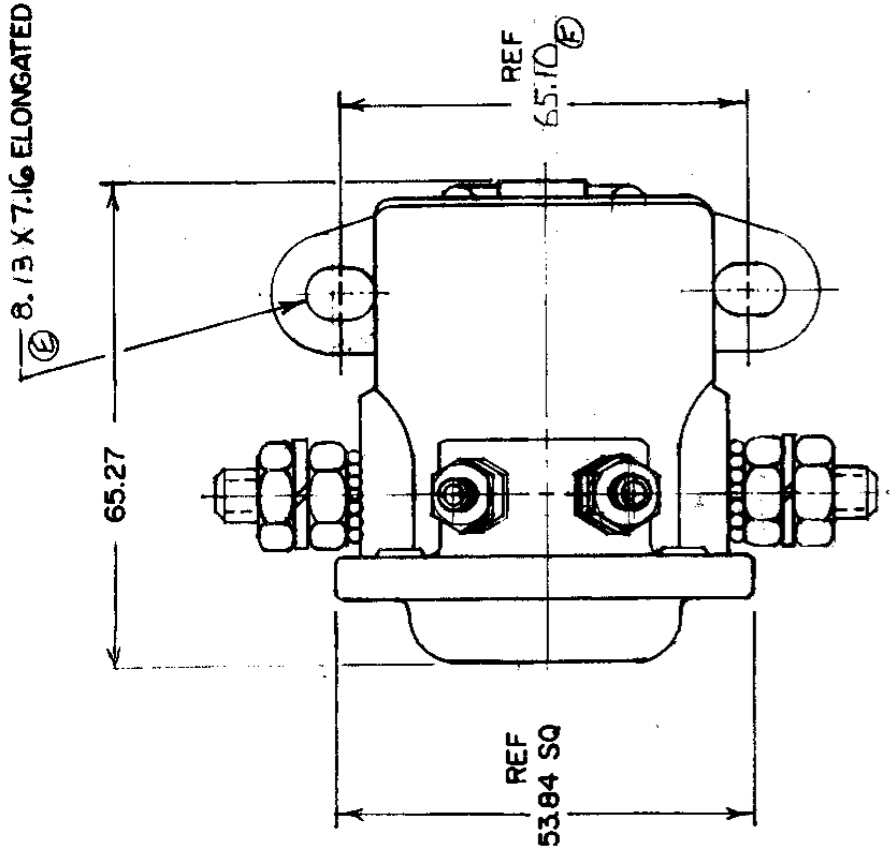
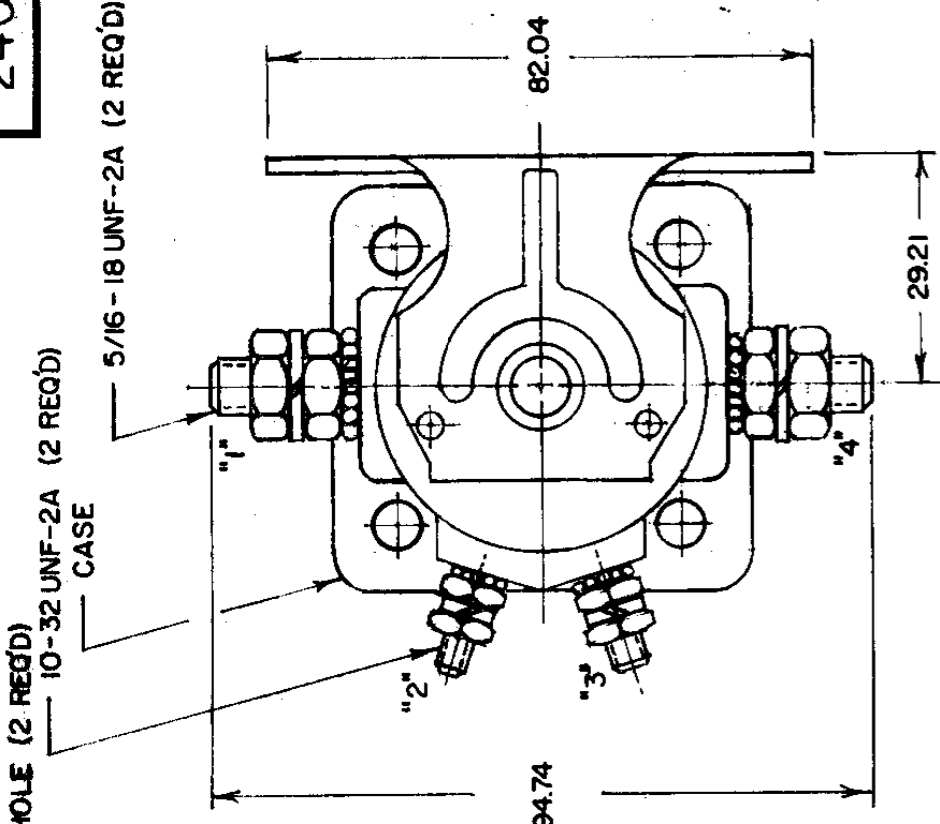


MM IN
 25 .010
 7.16 .282
 8.75 .344
 10.34 .406
 11.93 .465
 13.52 .524
 15.11 .583
 16.70 .642
 18.29 .701
 19.88 .760
 21.47 .819
 23.06 .878
 24.65 .937
 26.24 .996
 27.83 1.055
 29.42 1.114
 31.01 1.173

24023



NOTE:
 1. ALL STEEL PARTS PLATED
 2. 12 VOLTS, INTERMITTENT DUTY
 COIL RESISTANCE: 3.8 OHM ± 5%

Confidential Property of Cole Hersee										DO NOT SCALE		
LET.	WAS	DATE	BY LET	WAS	DATE	BY	MATERIAL	DRAWN	CHECKED	APPROVD.	SCALE	DATE DRAWN
			H	ECN 04280	8-4-04	SA	—	M	8-2-80		1:1	5-12-60
			G	ECN 99172	5-11-99	RF	FINISH					DATE BLUEPRINT
			F	ECN 23910	12-2-88	JK	TOLERANCES					
			E	19.05X / Ø 36.73	2-9-88	1Z	DECIMAL ±					
			D	REDRAWN	8-22-80	RR	METRIC ± .25					
CH: Cole Hersee Co. <small>IN OLD COLONY AVENUE SOUTH BOSTON, MA, U.S.A. 02107</small>										SOLENOID		24023

CH-100(4-78)