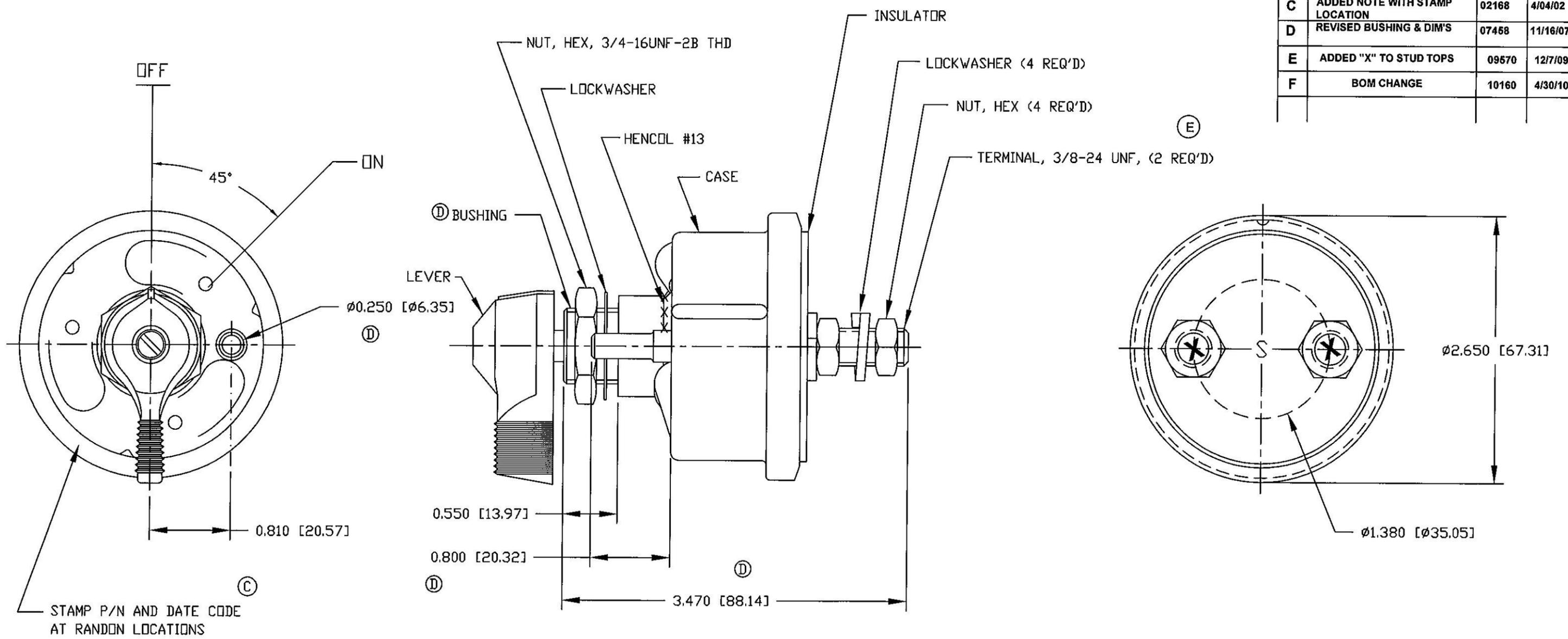


**Revision Control Record**

Rev.	Description of Change	ECN No.	Date
C	ADDED NOTE WITH STAMP LOCATION	02168	4/04/02
D	REVISED BUSHING & DIM'S	07458	11/16/07
E	ADDED "X" TO STUD TOPS	09670	12/7/09
F	BOM CHANGE	10160	4/30/10



- NOTES:**
1. ALL STEEL PARTS PLATED
  2. COPPER CONTACTS
  3. O-RING SEALED AT MTG STEM
  4. GASKET SEAL AT TERMINAL INSULATOR
  5. ALL DIMENSIONS REFERENCE

**RATING:**  
 SWITCH MUST CARRY 1000 AMPS  
 @ 6, 12 & 24 VDC FOR 1000 CYCLES  
 OF 30 SEC ON, 5 MIN OFF WITHOUT  
 SIGNIFICANT DETERIORATION  
 OF CONTACTS

**Tolerances** Unless otherwise specifically noted, the following are default tolerances:  
 \* 2-place Decimal Dimensions +/- .02"  
 \* 3-place Decimal Dimensions +/- .005"  
 \* Angular Dimensions +/- 1.0 Deg.  
 \* Metric: Refer to equivalent English Dimension Tolerance  
 >>> NOTE: All tolerances are Non-Cumulative. <<<

**Dimensional Units** All dimensions are expressed in inches except those shown in brackets (xxx) are expressed in millimeters

**"REF." or an Asterisk (\*)** = Non-Toleranced Reference Dimension, shown for clarification purposes only.

**PROPRIETARY INFORMATION** This Engineering Drawing, and the information contained herein, is proprietary to Cole Hersee Company and may not be disclosed, re-produced, or in any other way transferred or communicated to any other party without the express written consent of an authorized representative of Cole Hersee Company.

**DESIGN CONTROL** It is the responsibility of the individual using/ referencing this drawing to assure that the noted design revision level agrees with the revision level of the Controlled Document (Master Drawing). This is a NON-CONTROLLED DOCUMENT unless otherwise specifically noted.

**DO NOT SCALE** - Dimensional variation may occur during printing/ reproduction.

**Key for Special Characteristics:**

- CC Critical Characteristic, relating to Safety and/or Regulatory Compliance
- X Significant Characteristic relating to Process Control (SPC)
- CD Control Dimension relating to Form - Fit - Function as defined by Cole Hersee Company and/or the Customer

(Note that the identification of any Characteristics as being "Special" does not alter the requirement that ALL specified dimensions & tolerances must be met.)

**Cole Hersee Co.**  
 20 Old Colony Ave., South Boston, MA, 02127  
 Phn: 617-268-2100 Web: www.colehersee.com

**Description:** SW, MASTER DISCONNECT

**Drawing / Part No.:** 24025-03

**Current Rev.:** F