

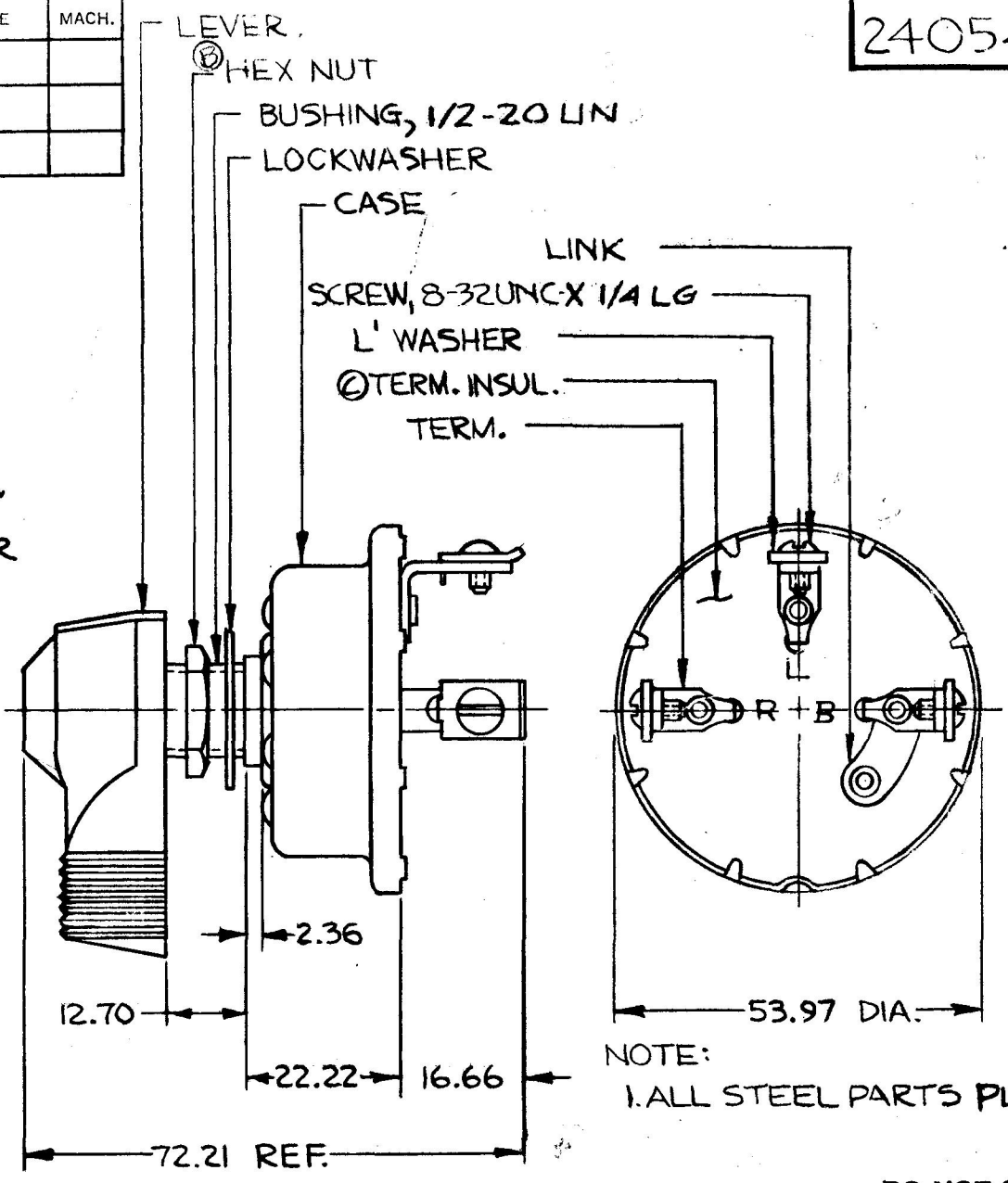
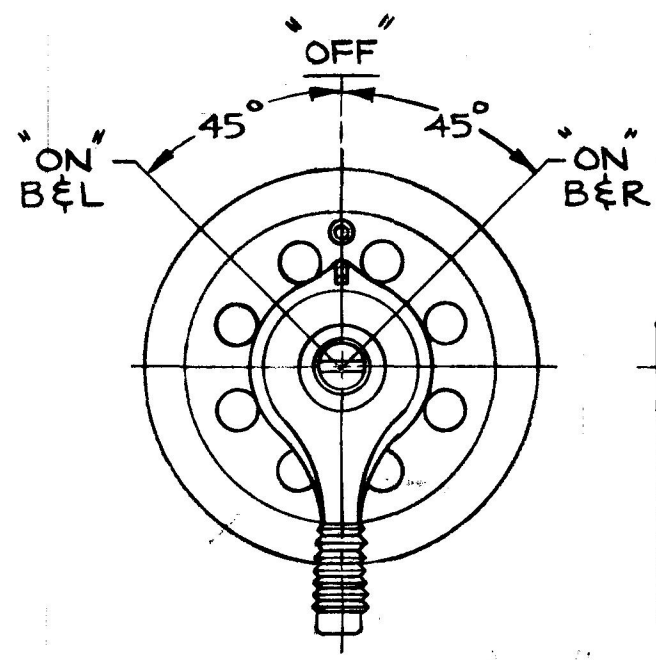
MM.	IN.
0.25	.010
2.36	.093
2.70	.500
16.66	.656
22.22	.875
53.97	2.125
72.21	2.843

KEY OPER.  
9554

COLE-HERSEE CO.

SEQ.	DEPT.	OPERATING INSTRUCTIONS	DIE	MACH.

24054



METRIC

DO NOT SCALE

LET	WAS	DATE	BY	LET	WAS	DATE	BY	MATERIAL	DRAWN	CHECKED	APPRV'D.	SCALE	DATE DRAWN				
								—H—	PB	5-16-78		1=1	5-14-56				
								FINISH	<b>COLE-HERSEE COMPANY</b> BOSTON, MASS. 02127, U.S.A.				DATE BLUEPRINT				
				C	REV 10/26/75	10-26-75	PS	—H—									
				B	REV 20/975	10-26-75		TOLERANCES					<b>THREE POSITION</b> <b>ROTARY LEVER SWITCH</b>				24054
				A	REDRAWN	5-12-78	JK	FRACTIONAL ±									
								DECIMAL ±0.25									

SPAULDING CO., INC.