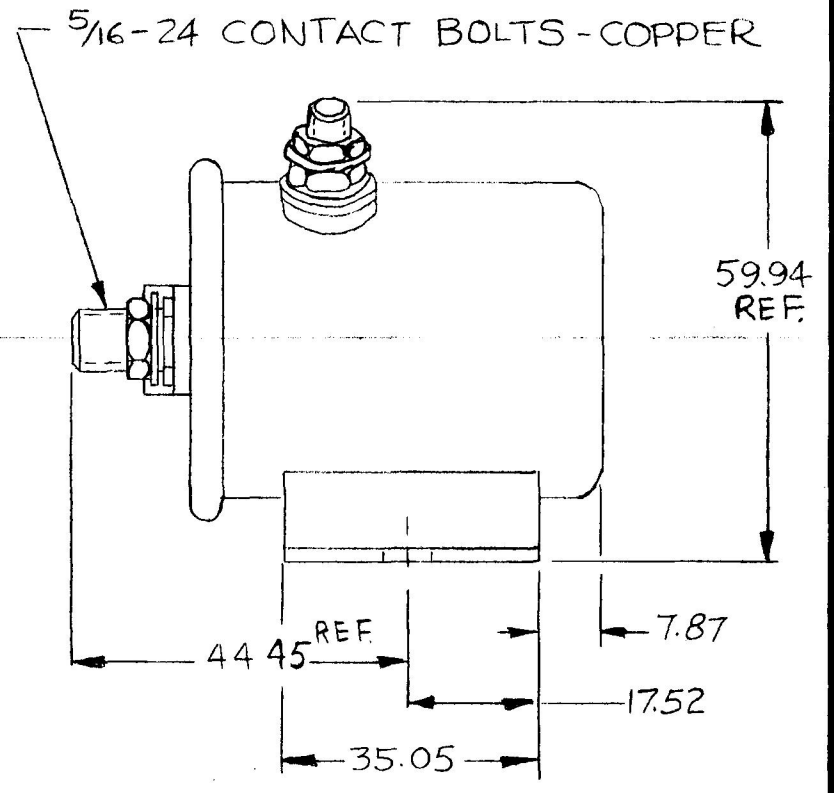
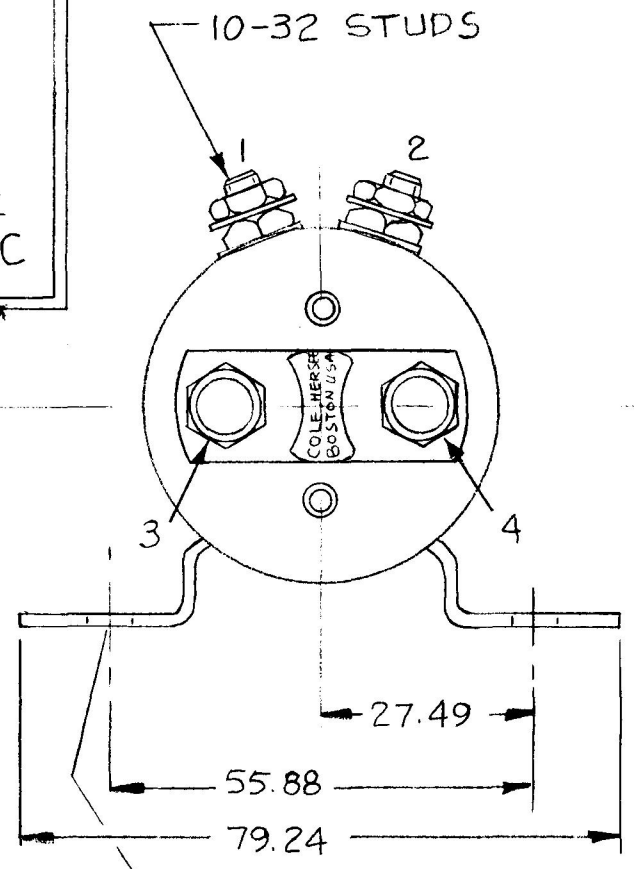
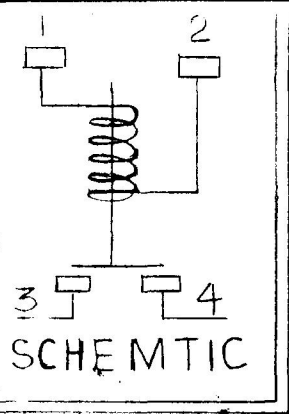


24420

MM	IN
7.87	.31
14.98	.59
17.52	.69
27.49	1.10
35.05	1.38
44.45	1.75
55.88	2.20
59.94	2.36
79.24	3.12



7.87 X 14.98 ELONGATED HOLE (2 PLACES)

- NOTES:
1. CONTINUOUS DUTY
  2. COPPER CONTACTS
  3. ALL STEEL PARTS PLATED
  4. SOLENOID PERMANENTLY STAMPED WITH VOLTAGE RATING, PART NO, DATE CODE
  5. EXTRA HARDWARE ASSEMBLED
- DO NOT SCALE**

METRIC 12 VOLTS

ET.	WAS	DATE	BY	LET	WAS	DATE	BY	MATERIAL	DRAWN	CHECKED	APPR'D	SCALE	DATE DRAWN
								---	JWH	RF		1:1	12-2-75
								FINISH	 Cole Hersee Co. <small>20 OLD COLONY AVENUE SOUTH BOSTON MA U.S.A 02127</small>				DATE BLUEPRINT
								TOLERANCES					S.P.S.T. SOLENOID
								DECIMAL ±					
								METRIC ±.010					
								B REDRAWN	2-22-90	BL			

CH-188(4-78)