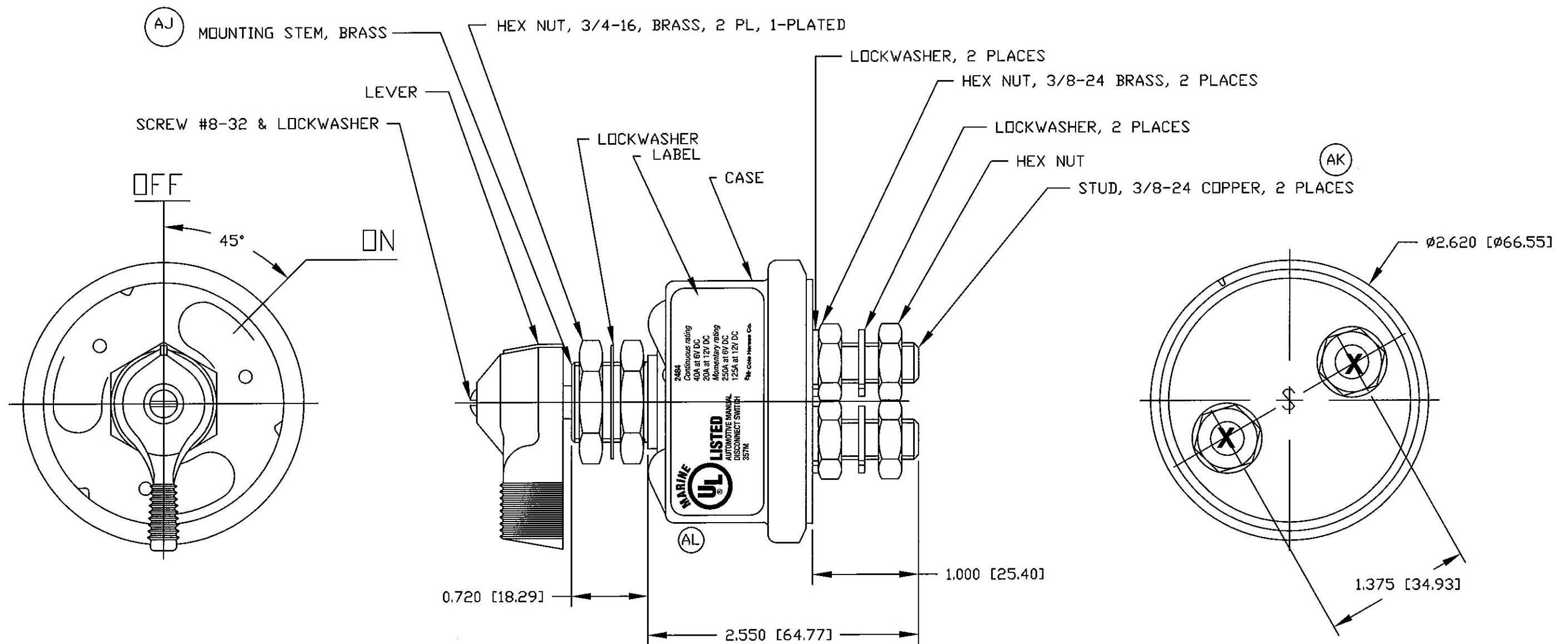


4

3

2

1



- NOTES:
1. ALL STEEL PARTS PLATED
 2. ALL DIMENSIONS REF. ONLY
 3. SWITCH IS ASSEMBLED
 4. TORQUE SPECIFICATIONS:
MOUNTING STEM NUTS: 20 FT LBS [27 N.m] MAX
3/8" NUTS 70-90 IN LBS [8-10 N.m]
 5. RATING: 250A AT 6 VDC; 125A AT 12 VDC INTERMITTENT;
40A AT 6VDC, 20A AT 12 VDC CONTINUOUS

Revision Control Record				Rev.	Description of Change	ECN No.	Date	Tolerances Unless otherwise specifically noted, the following are default tolerances:	PROPRIETARY INFORMATION This Engineering Drawing, and the information contained herein, is proprietary to Cole Hersee Company and may not be disclosed, re-produced, or in any other way transferred or communicated to any other party without the express written consent of an authorized representative of Cole Hersee Company.	Special Characteristics:		Cole Hersee Co. 20 Old Colony Ave., South Boston, MA, 02127 Phn: 617-268-2100 Web: www.colehersee.com		
Rev.	Description of Change	ECN No.	Date				2-places +/- 0.02"	3-places +/- 0.005"		Angular +/- 1°	<input checked="" type="checkbox"/> Critical Characteristic, relating to Safety and/or Regulatory Compliance <input checked="" type="checkbox"/> Significant Characteristic relating to Process Control <input checked="" type="checkbox"/> Control Dimension relating to Form-Fit - Function as defined by Cole Hersee Company and/or the Customer		Description:	
AH	DELETE NOTE 3	07179	05/18/07										SWITCH MASTER DISCONNECT	
AJ	ADDED NOTES	08680	11/25/08										Drawing / Part No.:	
AK	ADDED "X" TO STUD TOP	09563	12/7/09										2484	
AL	UPDATED LABEL	10014	1/13/10								Current Rev.			
								FORM CHT-6 (2/07)	Used On or Ref.:	Scale: 1:1	Drawn BY: EA	Date Drawn: 12/27/55	Pg. 1 of 1	AL

4

3

2

1