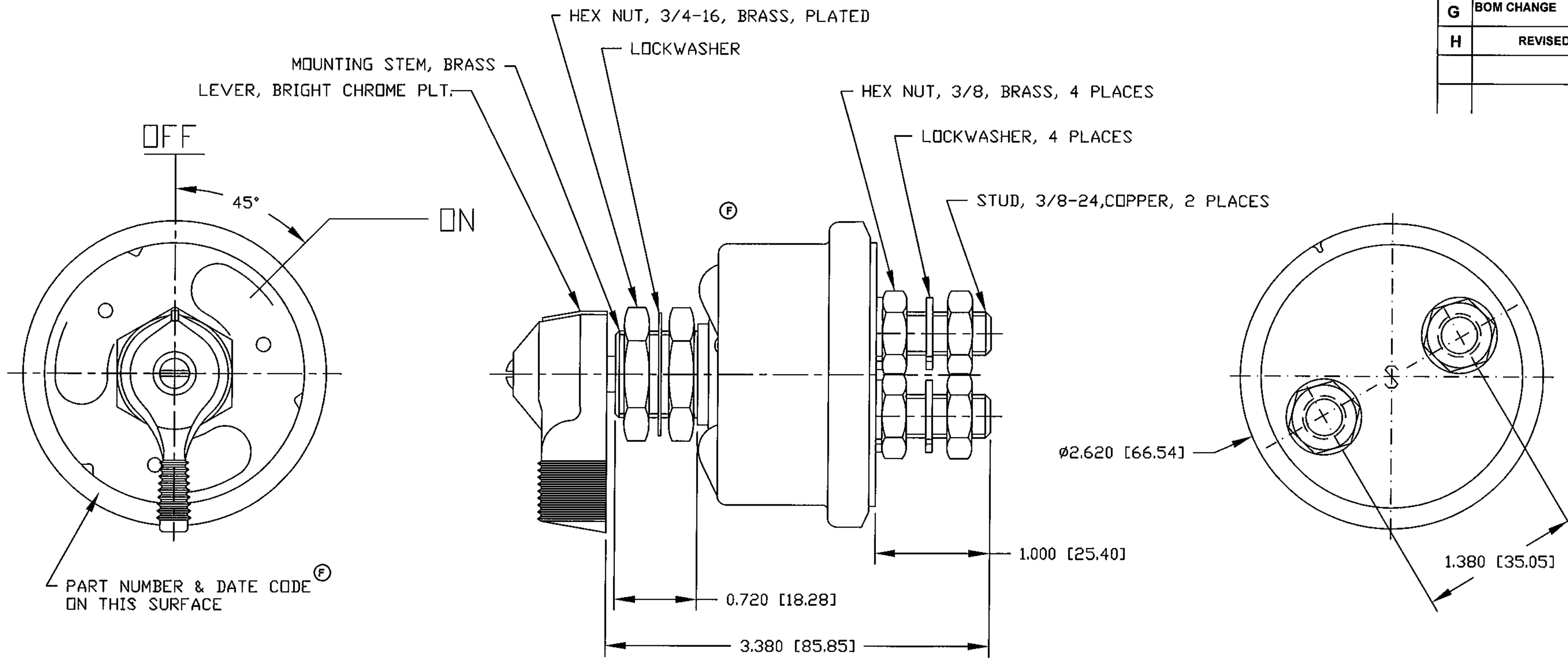


**Revision Control Record**

Rev.	Description of Change	ECN No.	Date
F	REMOVE LABEL, CHANGE NOTES	05327	08/18/05
G	BOM CHANGE	06365	11/01/06
H	REVISED BOM	10144	4/29/10



- NOTES:
- RATING: CONTINUOUS - 175 AMPS 6-12-24-36 VDC  
INTERMITTENT - 1000 AMPS 6-12-24-36 VDC  
15 SEC. "ON", 5 MINUTES "OFF", 1000 CYCLES
  - SILVER LAMINATED CONTACT SURFACES
  - ALL DIMENSIONS REFERENCE ONLY

<p><b>Tolerances</b> Unless otherwise specifically noted, the following are default tolerances:          * 2-place Decimal Dimensions +/- .02"          * 3-place Decimal Dimensions +/- .005"          * Angular Dimensions +/- 1.0 Deg.          * Metric: Refer to equivalent English Dimension Tolerance          &gt;&gt;&gt; NOTE: All tolerances are Non-Cumulative. &lt;&lt;&lt;</p> <p><b>Dimensional Units</b> All dimensions are expressed in inches except those shown in brackets (xxx) are expressed in millimeters</p> <p>"REF." or an Asterisk (*) = Non-Toleranced Reference Dimension, shown for clarification purposes only.</p>		<p><b>PROPRIETARY INFORMATION</b> This Engineering Drawing, and the information contained herein, is proprietary to Cole Hersee Company and may not be disclosed, re-produced, or in any other way transferred or communicated to any other party without the express written consent of an authorized representative of Cole Hersee Company.</p> <p><b>DESIGN CONTROL</b> It is the responsibility of the individual using/ referencing this drawing to assure that the noted design revision level agrees with the revision level of the Controlled Document (Master Drawing). This is a NON-CONTROLLED DOCUMENT unless otherwise specifically noted.</p> <p>DO NOT SCALE - Dimensional variation may occur during printing/ reproduction.</p>		<p><b>Key for Special Characteristics:</b></p> <p>CC Critical Characteristic, relating to Safety and/or Regulatory Compliance</p> <p>X Significant Characteristic relating to Process Control (SPC)</p> <p>CD Control Dimension relating to Form - Fit - Function as defined by Cole Hersee Company and/or the Customer</p> <p>(Note that the identification of any Characteristics as being "Special" does not alter the requirement that ALL specified dimensions &amp; tolerances must be met.)</p>		<p><b>Cole Hersee Co.</b>          20 Old Colony Ave., South Boston, MA, 02127          Phn: 617-268-2100 Web: www.colehersee.com</p>					
<p>Used On 2484-A W/BRIGHT or Ref.: CHROME PLT LEVER</p>		<p>Scale: <b>1:1</b></p>		<p>Drawn By: <b>RW</b></p>		<p>Date Drawn: <b>04/25/72</b></p>		<p>Responsible Engineer: <b>NA</b></p>		<p>Pg. 1 of 1</p>	
<p>Description: <b>SWITCH, MASTER DISCONNECT</b></p>											
<p>Drawing / Part No.: <b>2484-05</b></p>								<p>Current Rev.: <b>H</b></p>			