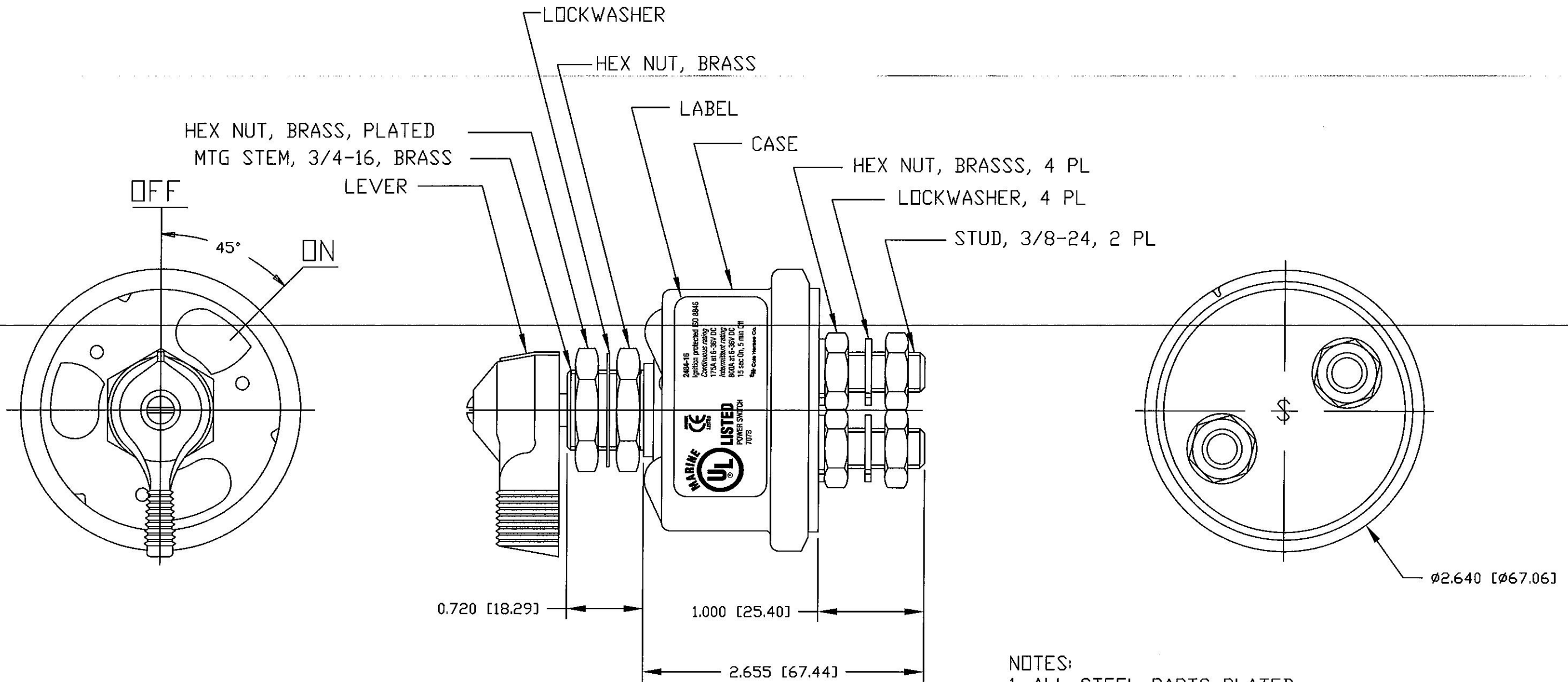


4

3

2

1



HEX NUT, BRASS, PLATED
MTG STEM, 3/4-16, BRASS

LOCKWASHER
HEX NUT, BRASS

LABEL
CASE

HEX NUT, BRASS, 4 PL
LOCKWASHER, 4 PL
STUD, 3/8-24, 2 PL

OFF
45°
ON

0.720 [18.29]
1.000 [25.40]
2.655 [67.44]

Ø2.640 [Ø67.06]

NOTES:
1. ALL STEEL PARTS PLATED
2. ALL DIMENSIONS REFERENCE ONLY
3. SILVER CONTACT SURFACES
4. RATING:
CONTINUOUS-175 AMPS, 6-12-24-36 VDC
INTERMITTENT-800 AMPS, 6-12-24-36 VDC
15 SECONDS ON, 5 MINUTES OFF, IGNITION PROTECTED

METRIC

Revision Control Record				Rev.	Description of Change	ECN No.	Date	Tolerances Unless otherwise specifically noted, the following are default tolerances:			PROPRIETARY INFORMATION This Engineering Drawing, and the information contained herein, is proprietary to Cole Hersee Company and may not be disclosed, re-produced, or in any other way transferred or communicated to any other party without the express written consent of an authorized representative of Cole Hersee Company.	Special Characteristics:		Cole Hersee Co. 20 Old Colony Ave., South Boston, MA, 02127 Phn: 617-268-2100 Web: www.colehersee.com	
Rev.	Description of Change	ECN No.	Date					2-places +/- 0.02"	3-places +/- 0.005"	Angular +/- 1°		<input checked="" type="checkbox"/> Critical Characteristic, relating to Safety and/or Regulatory Compliance <input checked="" type="checkbox"/> Significant Characteristic relating to Process Control <input checked="" type="checkbox"/> Control Dimension relating to Form - Fit - Function as defined by Cole Hersee Company and/or the Customer	Description:		Drawing / Part No.:
H	UPDATED DRAWING FORMAT UPDATED LABEL	10016	01/13/10									<input checked="" type="checkbox"/> Critical Characteristic, relating to Safety and/or Regulatory Compliance <input checked="" type="checkbox"/> Significant Characteristic relating to Process Control <input checked="" type="checkbox"/> Control Dimension relating to Form - Fit - Function as defined by Cole Hersee Company and/or the Customer	SWITCH, MASTER DISCONNECT	2484-16	H
								FORM CHT-6 (2/07)	Used On or Ref.:	2484-A WITH UL LABEL		Scale: 1:1	Drawn BY: JAV	Date Drawn: 02/08/79	Pg. 1 of 1

4

3

2

1