

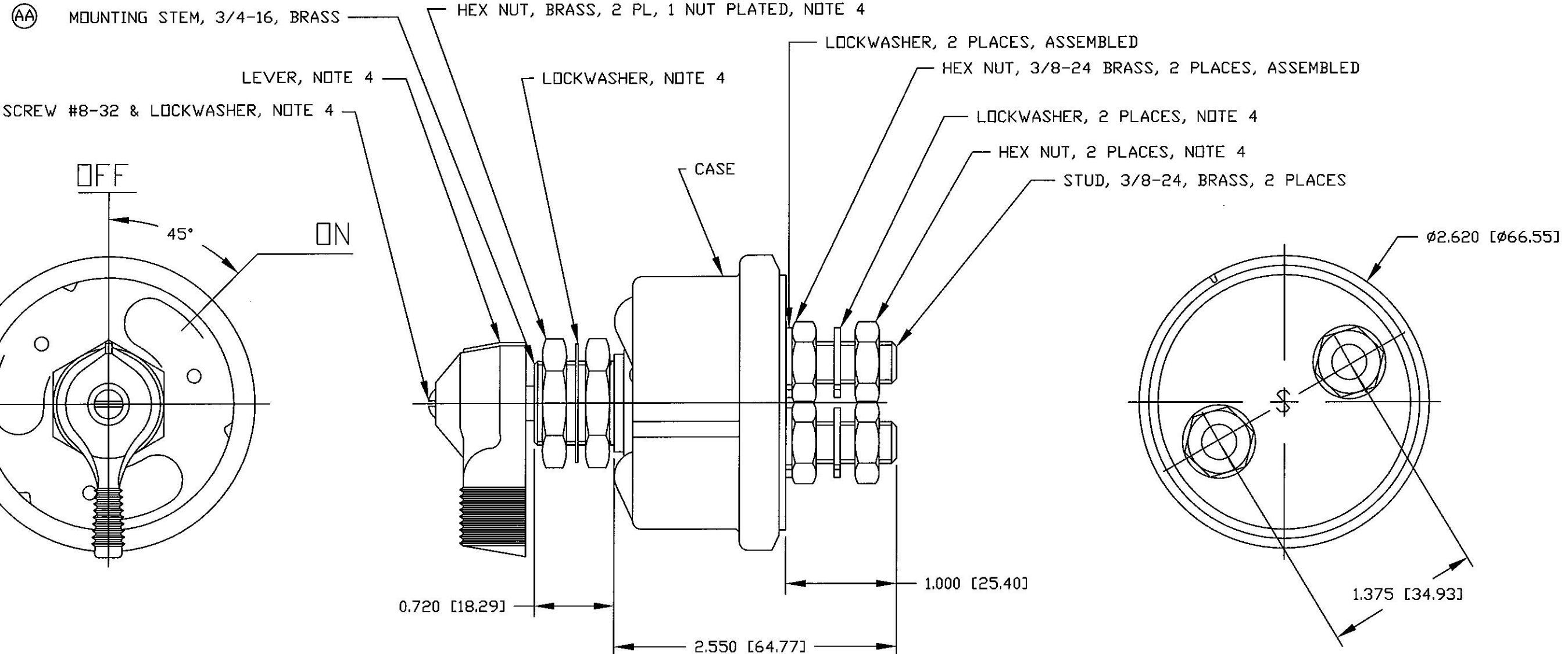
4

3



2

1



NOTES:

- 1. SILVER CONTACT SURFACES
- 2. ALL STEEL PARTS PLATED
- 3. ALL DIMENSIONS REF. ONLY
- 4. PARTS MAY BE ASSEMBLED OR SUPPLIED IN A BAG
- 5. RATING:
 CONTINUOUS - 175 AMPS 6-12-24-36 V DC
 INTERMITTENT-1000 AMPS MAX 6-12-24-36 V DC 15 SECONDS 'ON' 5 MINUTES 'OFF'
- 6. TORQUE SPECIFICATIONS:
 MOUNTING STEM NUTS: 20 FT LBS [27 N.m] MAX
 3/8" NUTS 70-90 IN LBS [8-10 N.m]

(AA)

Revision Control Record				Rev.	Description of Change	ECN No.	Date	Tolerances Unless otherwise specifically noted, the following are default tolerances:			PROPRIETARY INFORMATION This Engineering Drawing, and the information contained herein, is proprietary to Cole Hersee Company and may not be disclosed, re-produced, or in any other way transferred or communicated to any other party without the express written consent of an authorized representative of Cole Hersee Company.	Special Characteristics:		Cole Hersee Co. 20 Old Colony Ave., South Boston, MA, 02127 Phn: 617-268-2100 Web: www.colehersee.com
Rev.	Description of Change	ECN No.	Date				2-places +/- 0.02"	3-places +/- 0.005"	Angular +/- 1°	<input checked="" type="checkbox"/> Critical Characteristic, relating to Safety and/or Regulatory Compliance		<input checked="" type="checkbox"/> Significant Characteristic relating to Process Control	Description:	
AA	REVISED NOTES	08680	11/24/08									<input checked="" type="checkbox"/> Control Dimension relating to Form - Fit - Function as defined by Cole Hersee Company and/or the Customer	SWITCH, MASTER DISCONNECT	
													Drawing / Part No.: 2484-A	
							FORM CHT-6 (2/07)	Used On or Ref.:	Scale: 1:1	Drawn BY: PJS	Date Drawn: 12/27/55	Pg. 1 of 1	Current Rev. AA	

4

3



2

1