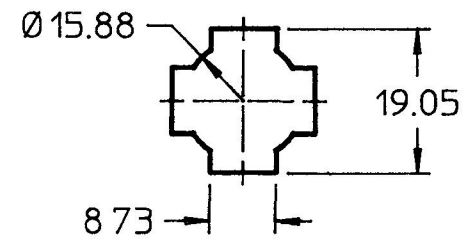
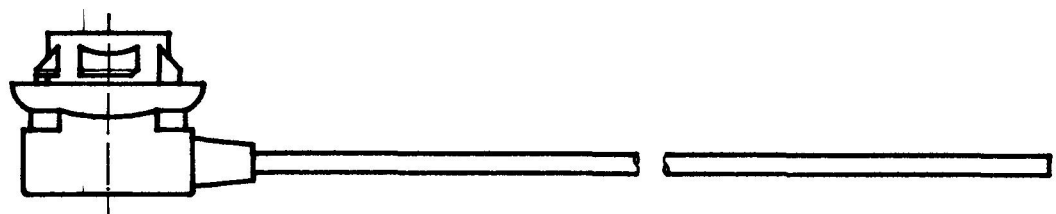
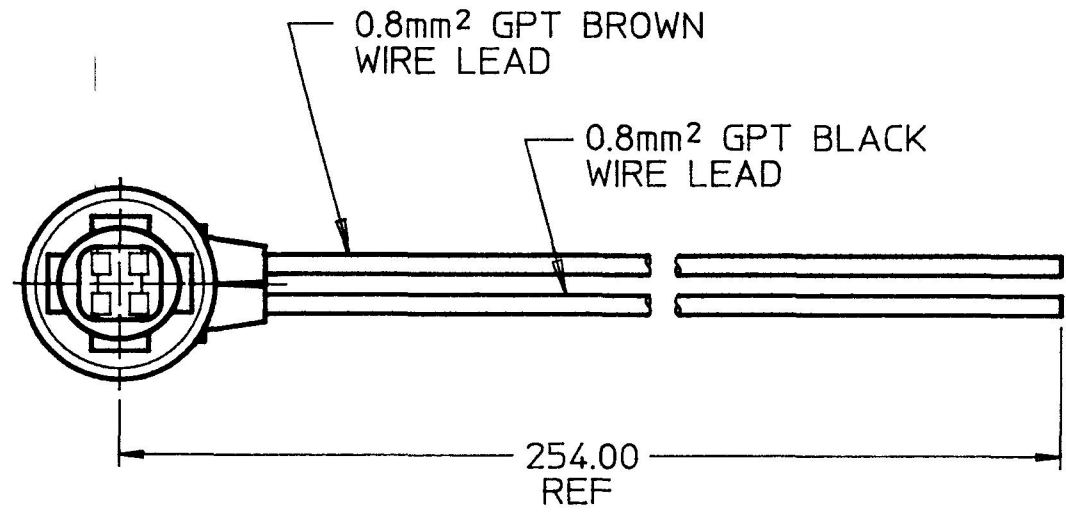


25106


MM	IN
1.98	0.078
8.73	0.344
15.88	0.625
19.05	0.750
254.00	10.000
0.8mm ²	18 GA



1.98 MAX PANEL THICKNESS

METRIC

DO NOT SCALE
CAD GENERATED

LET	WAS	DATE	BY	LET	WAS	DATE	BY	MATERIAL	DRAWN	CHK	APVD	SCALE	DATE DRAWN
									LIZ	AF		1:1	9/24/87
								FINISH	 <small>20 OLD COLONY AVENUE SOUTH BOSTON MA, U.S.A. 02127</small>				DATE BLUEPRINTED
								TOLERANCES DECIMAL ± ANGLE ±					LAMP SOCKET, WEDGE BASE
				A	PUT ON CAD NO CHANGES	5/8/90	LIZ	Confidential Property of Cole Hersee					