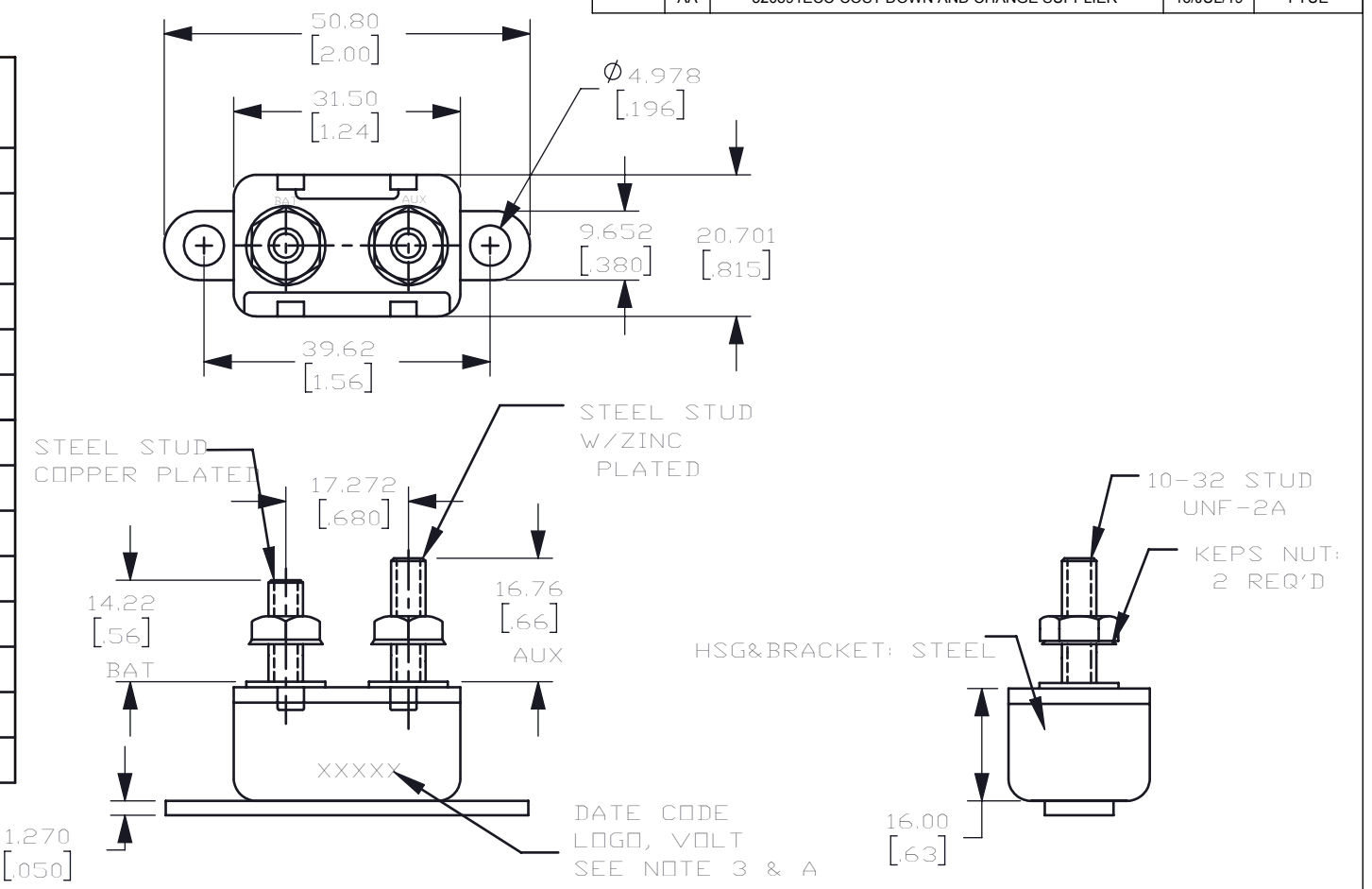


THIS DRAWING AND THE INFORMATION CONTAINED WITHIN IT ARE CONFIDENTIAL AND MAY NOT BE COPIED OR DISCLOSED WITHOUT THE WRITTEN PERMISSION OF LITTELFUSE.

REVISIONS				
ZONE	REV.	DESCRIPTION	DATE	APPROVED
	AA	520891ECC-COST DOWN AND CHANGE SUPPLIER	16/JUL/19	FYUE

PT NO	AMPS	VOLTS	TYPE	HSG	BAT STUD	AUX STUD	BRKT	SEAL	NOTE
30055-50	50	12	1	METAL	14.22	17.27	YES	NONE	HARDWARE
30055-40	40	12	1	METAL	14.22	17.27	YES	NONE	HARDWARE
30055-30	30	12	1	METAL	14.22	17.27	YES	NONE	HARDWARE
30055-25	25	12	1	METAL	14.22	17.27	YES	NONE	HARDWARE
30055-20	20	12	1	METAL	14.22	17.27	YES	NONE	HARDWARE
30055-15	15	12	1	METAL	14.22	17.27	YES	NONE	HARDWARE
30055-10	10	12	1	METAL	14.22	17.27	YES	NONE	HARDWARE
P30055-50	50	12	1	METAL	14.22	17.27	YES	NONE	NO HARDWARE
P30055-40	40	12	1	METAL	14.22	17.27	YES	NONE	NO HARDWARE
P30055-30	30	12	1	METAL	14.22	17.27	YES	NONE	NO HARDWARE
P30055-25	25	12	1	METAL	14.22	17.27	YES	NONE	NO HARDWARE
P30055-20	20	12	1	METAL	14.22	17.27	YES	NONE	NO HARDWARE
P30055-15	15	12	1	METAL	14.22	17.27	YES	NONE	NO HARDWARE
P30055-10	10	12	1	METAL	14.22	17.27	YES	NONE	NO HARDWARE



**TYPE OF CIRCUIT BREAKERS**

TYPE 1:  
CYCLING CIRCUIT BREAKER

- NOTES:
1. ALL STEEL PARTS PLATED
  2. ALL DIMENSIONS ARE REFERENCE ONLY
  3. LOGO, AMPERAGE & VOLTAGE, TYPE AND DATE CODE STAMPED LEGIBLY ON CASE SIDE
  4. CIRCUIT BREAKER MEETS SAE J553 JUL 2016
  5. METAL HOUSING IS STEEL W/ZINC YELLOW DICHROMATE OR CLEAR ZINC.
  6. HARDWARE: STEEL, ZINC PLATED

**ADDITIONAL NOTES:**

A) STAMP LITTELFUSE LOGO & DATE CODE AS TO WEEK & YEAR OF MANUFACTURE

NO.	COMPONENT NO.	COMPONENT NAME	QTY	U
DIMENSIONS ARE SHOWN IN MILLIMETERS. DIMENSIONS AND TOLERANCES ARE DEFINED ACCORDING TO ANSI/ASME Y14.5-1994.				
●	FIT/ FUNCTION CRITICAL CHARACTERISTICS SYMBOL			
<S>	SAFETY/ COMPLIANCE CRITICAL CHARACTERISTICS SYMBOL			
CPK	DENOTES CPK DIMENSIONS MINIMUM CPK VALUE			
ST	DENOTES A CHARACTERISTIC THAT PROVIDES AN INDICATION OF PROCESS PERFORMANCE. PROCEDURE FOR MEASUREMENT AND TRACKING TO BE DEFINED IN LITTELFUSE INSPECTION INSTRUCTIONS			
CP	DENOTES CP DIMENSIONS, -MINIMUM CP VALUE MUST BE WITHIN THE DIMENSIONAL LIMITATIONS SHOWN ON DRAWING AND INITIALLY LOCATED TO ALLOW FOR MAXIMUM TOOL LIFE			
TOLERANCES UNLESS OTHERWISE SPECIFIED ONE PLACE DECIMAL ± 0.5      THREE PLACES DECIMAL ± 0.100 TWO PLACES DECIMAL ± 0.20      ANGULAR ± 2°				
DRAWN	FYUE	16 JUL 2019	<p><b>Littelfuse</b> Expertise Applied   Answers Delivered</p>	
CHECKED	FYUE	16 JUL 2019		
	-	-		
	-	-		
THIRD ANGLE PROJECTION			TITLE	
			CIRCUIT BREAKER, 12 V, T1	
SIZE	DWG. NO.	REV.		
B	30055 SERIES CHART	AA		
DO NOT SCALE DRAWING			SCALE 2:1	SHEET 1 OF 1