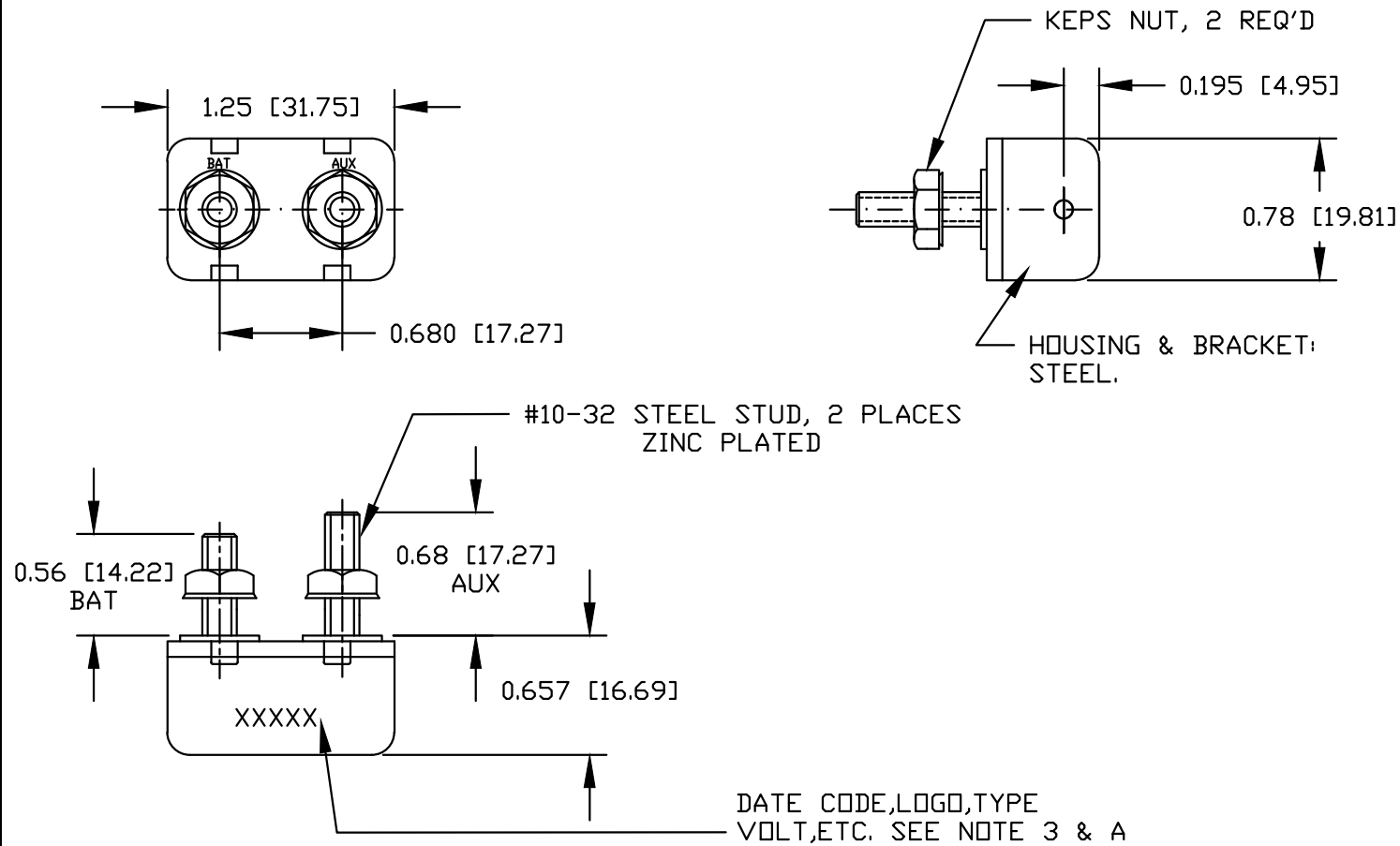


TRADITIONAL CONSTRUCTION

ALTERNATE CONSTRUCTION

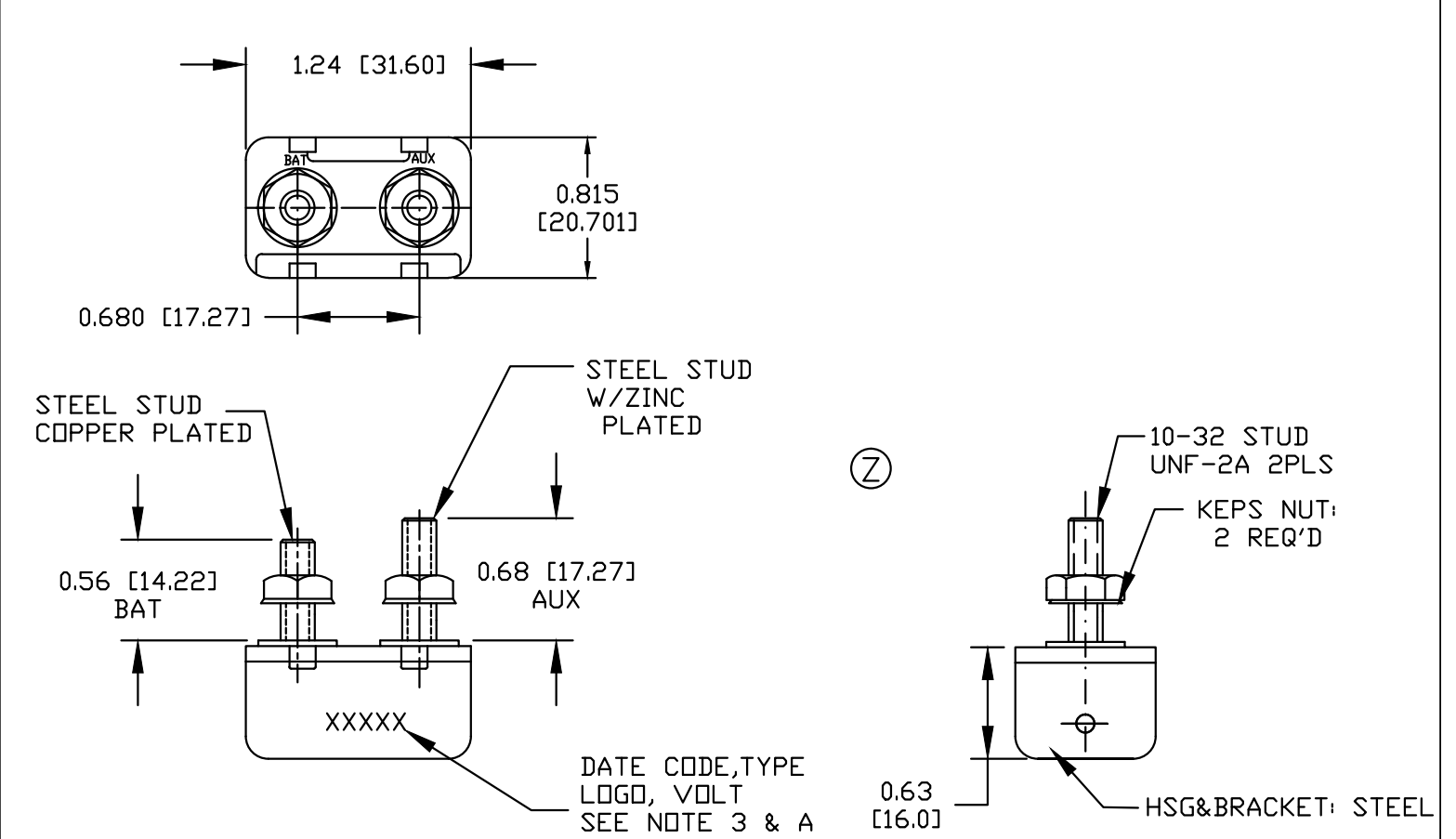
A

METAL HOUSING WITH STEEL STUDS

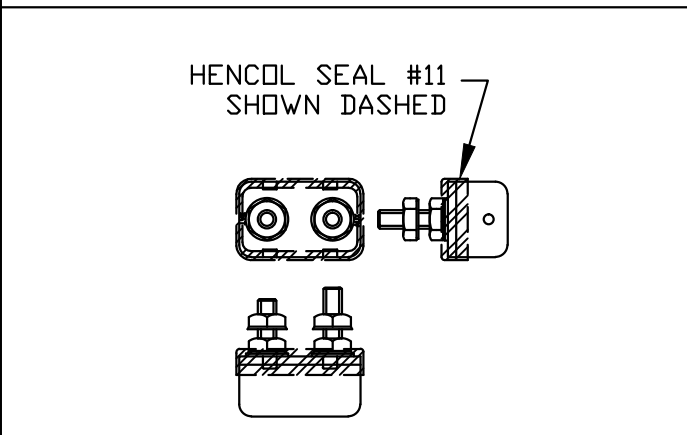


B

METAL HOUSING, COPPER & STEEL STUD



SEALANT SCALE 1/2:1



TYPE OF CIRCUIT BREAKERS

TYPE 1:
CYCLING CIRCUIT BREAKER

- NOTES:**
1. ALL STEEL PARTS PLATED
 2. ALL DIMENSIONS ARE REFERENCE ONLY
 3. LOGD, AMPERAGE & VOLTAGE, TYPE AND DATE CODE STAMPED LEGIBLY ON CASE SIDE
 4. CIRCUIT BREAKER MEETS SAE J553 JUN 88
 5. METAL HOUSING IS STEEL W/ZINC YELLOW DICHROMATE OR CLEAR ZINC.
 6. HARDWARE: STEEL, ZINC PLATED
 7. COLE HERSEE/LITTELFUSE MAY SUPPLY EITHER CONSTRUCTION-TYPE A OR TYPE B.

ADDITIONAL NOTES:

A) STAMP COLE HERSEE LOGD & DATE CODE AS TO WEEK & YEAR OF MANUFACTURE

Revision Control Record			
Rev.	Description of Change	ECN No.	Date
Z	CHANGE NOTE	11288	09/29/14

Revision Control Record			
Rev.	Description of Change	ECN No.	Date

Tolerances Unless otherwise specifically noted, the following are default tolerances:
 * 2-place Decimal Dimensions +/- .02"
 * 3-place Decimal Dimensions +/- .005"
 * Angular Dimensions +/- 1.0 Deg.
 * Metric: Refer to equivalent English Dimension Tolerance
 >>> NOTE: All tolerances are Non-Cumulative. <<<

Dimensional Units All dimensions are expressed in inches except those shown in brackets (xxx) are expressed in millimeters

"REF." or an Asterisk (*) = Non-Toleranced Reference Dimension, shown for clarification purposes only.

PROPRIETARY INFORMATION This Engineering Drawing, and the information contained herein, is proprietary to Cole Hersee Company and may not be disclosed, re-produced, or in any other way transferred or communicated to any other party without the express written consent of an authorized representative of Cole Hersee Company.

DESIGN CONTROL It is the responsibility of the individual using / referencing this drawing to assure that the noted design revision level agrees with the revision level of the Controlled Document (Master Drawing). This is a NON-CONTROLLED DOCUMENT unless otherwise specifically noted.

DO NOT SCALE - Dimensional variation may occur during printing / reproduction.

Key for Special Characteristics:

- CC Critical Characteristic, relating to Safety and/or Regulatory Compliance
- X Significant Characteristic relating to Process Control (SPC)
- CD Control Dimension relating to Form - Fit - Function as defined by Cole Hersee Company and/or the Customer

(Note that the identification of any Characteristics as being "Special" does not alter the requirement that ALL specified dimensions & tolerances must be met.)

Cole Hersee Co.
 20 Old Colony Ave., South Boston, MA, 02127
 Phn: 617-268-2100 Web: www.colehersee.com

Description: CIRCUIT BREAKER, 12 V

Drawing / Part No.: 30137 SERIES CHART

Current Rev.: Z