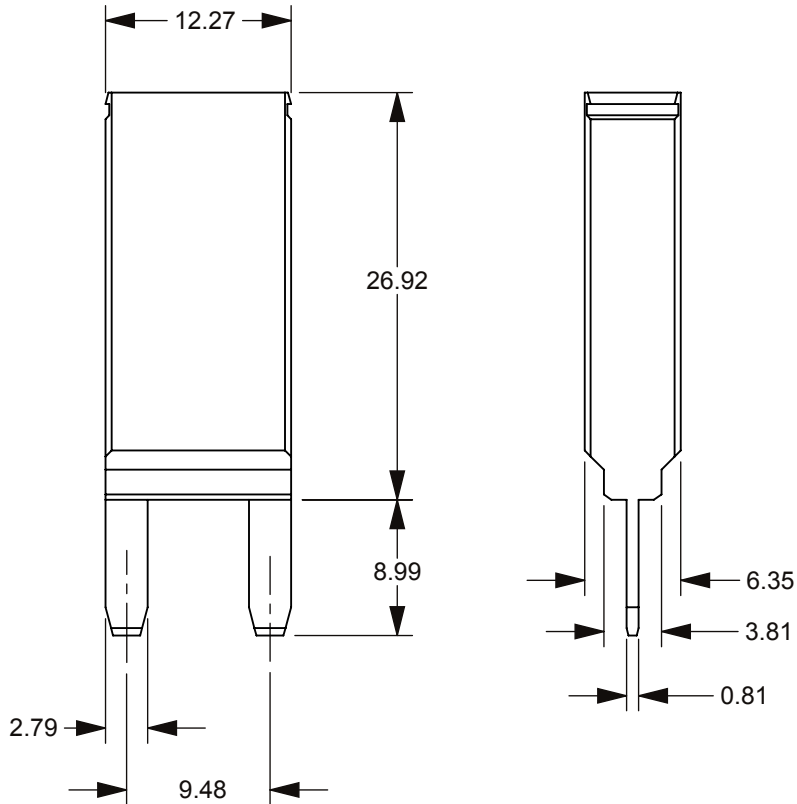


THIS DRAWING AND THE INFORMATION CONTAINED WITHIN IT ARE CONFIDENTIAL AND MAY NOT BE COPIED OR DISCLOSED WITHOUT THE WRITTEN PERMISSION OF LITTELFUSE.

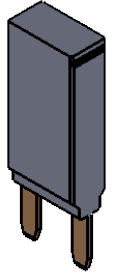


SEE NOTE 2



- NOTES:  
 1. ALL DIMENSIONS REFERENCE ONLY  
 2. AMP RATING  
 3. 12V CIRCUIT BREAKER

REVISIONS				
ZONE	REV.	DESCRIPTION	DATE	APPROVED
	A	GCF #519089 ADD 2 NEW PART PUT DRG ON SW FORMAT	5/4/2018	J. THOMAS



30419-30	30
30419-25	25
30419-20	20
30419-15	15
30419-10	10
30419-05	05
PART NO.	AMPS

INTERPRET DRAWING TO ANSI/ASME Y14.5-1994.

	FIT/ FUNCTION CRITICAL CHARACTERISTICS SYMBOL
<S>	SAFETY/ COMPLIANCE CRITICAL CHARACTERISTICS SYMBOL
CPK	DENOTES CPK DIMENSIONS MINIMUM CPK VALUE
	DENOTES A CHARACTERISTIC THAT PROVIDES AN INDICATION OF PROCESS PERFORMANCE.PROCEDURE FOR MEASUREMENTAND TRACKINGTO BE DEFINED IN LITTELFUSE INSPECTION INSTRUCTIONS
CP	DENOTES CP DIMENSIONS, -MINIMUM CP VALUE MUST BE WITHIN THE DIMENSIONAL LIMITATIONS SHOWN ON DRAWING AND INITIALLY LOCATED TO ALLOW FOR MAXIMUM TOOL LIFE

DIMENSION; MM TOLERANCES UNLESS OTHERWISE SPECIFIED  
 ONE PLACE DECIMAL ± 0.5      THREE PLACES DECIMAL ± 0.100  
 TWO PLACES DECIMAL ± 0.20      ANGULAR ± 2°

	NAME	DATE
DRAWN	C. MILLER	05/04/18
CHECKED	J. THOMAS	09/04/18
	-	-
	-	-

**Littelfuse®**  
 Expertise Applied | Answers Delivered

TITLE  
 CIRCUIT BRKR, TYPE 2

FORM NO: CVP-PE40-0002 REV A  
 THIRD ANGLE PROJECTION

	SIZE A	DWG. NO. 30419 CHART	REV. A
--	-----------	-------------------------	-----------

DO NOT SCALE DRAWING      SCALE 2:1      SHEET 1 OF 1