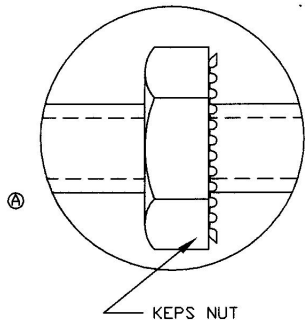
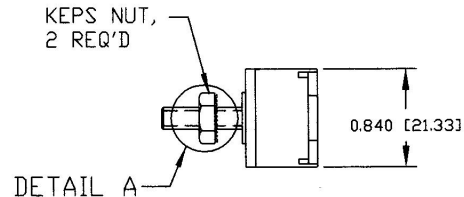
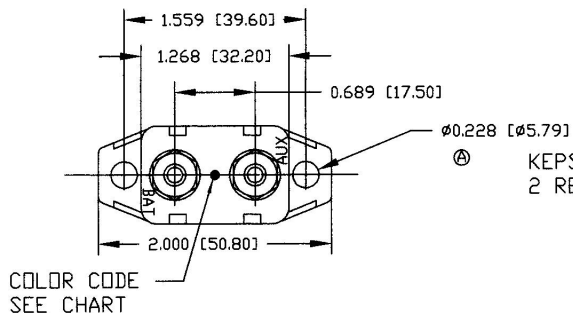


DETAIL A

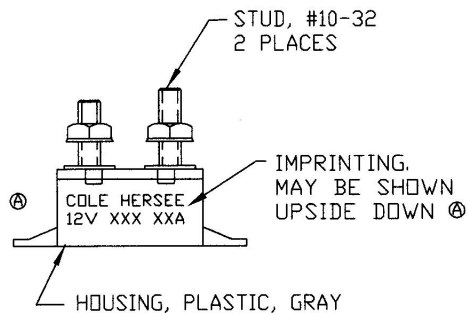
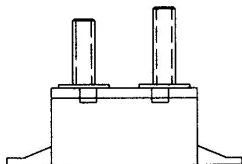


KEPS NUT

Revision Control Record			
Rev.	Description of Change	ECN No.	Date
A	ADD NEW PARTS	06125	03/09/05



PL
PLASTIC HOUSING
LESS HARDWARE



**TYPE OF
CIRCUIT BREAKERS**
TYPE 1
CYCLING CIRCUIT BREAKER
TYPE 2
NON-CYCLING CIRCUIT BREAKER
TYPE 3
RESETABLE CIRCUIT BREAKER

- NOTES:
1. ALL STEEL PARTS PLATED
2. ALL DIMENSIONS ARE REFERENCE ONLY
3. AMPERAGE & VOLTAGE RATING INDICATED ON CASE.
4. CIRCUIT BREAKER MEETS SAE J553 JUN 88
5. ALL CIRCUIT BREAKERS HAVE PLASTIC HOUSING

Tolerances - Unless otherwise specifically noted, the following are default tolerances: • 2-place Decimal Dimensions $\pm .02$ " • 3-place Decimal Dimensions $\pm .005$ " • Angular Dimensions ± 1.0 Deg. • Metric: Refer to equivalent English Dimension Tolerance • NOTE: All tolerances are Non-Cumulative, unless otherwise specified.
Dimensional Units - All dimensions are expressed in inches except those shown in brackets (mm) are expressed in millimeters.
"REF." or an Asterisk (*) - Non-Toleranced Reference Dimension, shown for clarification purposes only.
Used On or Ref:

PROPRIETARY INFORMATION - This Engineering Drawing, and the information contained hereon, is proprietary to Cole Hersee Company and may not be disclosed, reproduced, or in any other way transferred or communicated to any other party without the express written consent of an authorized representative of Cole Hersee Company.
DESIGN CONTROL - It is the responsibility of the individual user/manufacturer to ensure that the noted design revision level agrees with the revision level of the Controlled Document (Master Drawing). This is a NON-CONTROLLED DOCUMENT unless otherwise specifically noted.
DO NOT SCALE - Dimensional variation may occur during printing/ reproduction.
Drawn By: JMP
Date: 03/03/05

Special Characteristics:
<input checked="" type="checkbox"/> Critical Characteristics, relating to Safety and/or Regulatory Compliance <input checked="" type="checkbox"/> Significant Characteristics relating to Process Control (SPC) <input checked="" type="checkbox"/> Control Dimension relating to Form - Fit - Function as defined by Cole Hersee Company and/or the Customer <small>(Note that the identification of any Characteristics as being "Special" does not alter the requirement that ALL specified dimensions & tolerances must be met.)</small>
Responsible Engineer: GA

Cole Hersee Co.
20 Old Colony Ave., South Boston, MA, 02127
Phn 617-268-2100 Web: www.colehersee.com

Description: **CIRCUIT BREAKER**

Drawing / Part No.: **30427 CHART A**

30427-50	50	12	1	YES	--
30427-40	40	12	1	YES	BLUE
P-30427-40	40	12	1	YES	--
30427-30	30	12	1	YES	GREEN
P-30427-30	30	12	1	YES	--
30427-20	20	12	1	YES	--
30427-15	15	12	1	YES	WHITE
P-30427-15	15	12	1	YES	--
30427-6	6	12	1	YES	RED
P-30427-6	6	12	1	YES	--
PT NO	AMPS	VOLTS	TYP	HWRE	COLOR CODE