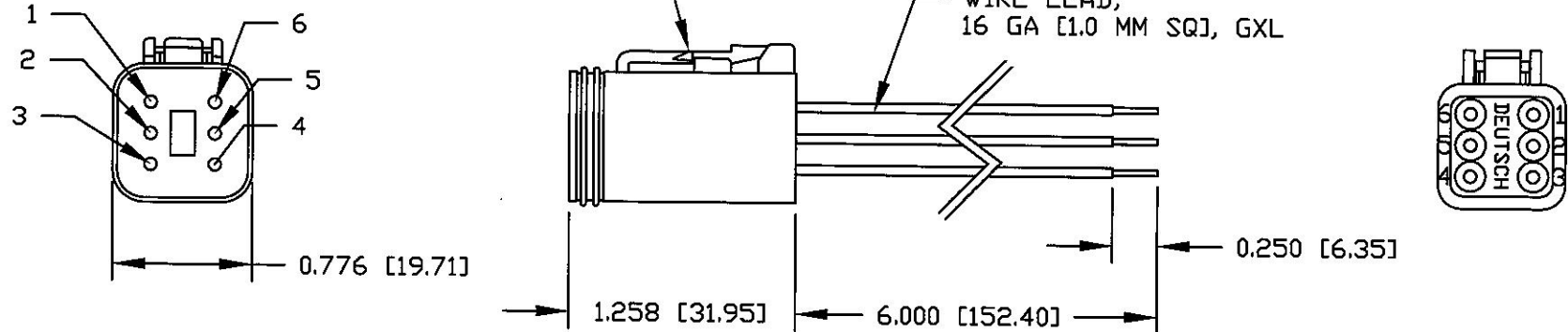


Revision Control Record

Rev.	Description of Change	ECN No.	Date
A	RELEASED DRAWING	07351	8/17/07
B	EXPANDED LEGEND, TEXT & VIEW	08439	08/21/08

CONNECTOR, PLUG, DEUTSCH DT06-6S,
 TERMINAL, DEUTSCH 0462-201-16141,
 WEGDE, DEUTSCH W6S



LEGEND		WHEN USED WITH OUR 95060 SERIES KEY SWITCHES	
6	RED	6	BATTERY
5	PURPLE	5	IGNITION
4	PURPLE	4	IGNITION
3	ORANGE	3	ACCESSORY
2	YELLOW WITH RED STRIPE	2	START
1	RED	1	BATTERY
PIN	COLOR	PIN	CIRCUIT

NOTES:
 1. ALL DIMENSIONS ARE REFERENCE ONLY

Tolerances Unless otherwise specifically noted, the following are default tolerances:
2-places +/- 0.02"
3-places +/- 0.005"
Angular +/- 1'
 Metric: Shown in [] refers to equivalent English Dim Tol
 "REF." or an Asterisk (*) = Non-Toleranced Reference Dimension, shown for clarification purposes only.
 NOTE: All tolerances are Non-Cumulative.

PROPRIETARY INFORMATION
 This Engineering Drawing, and the information contained herein, is proprietary to Cole Hersee Company and may not be disclosed, re-produced, or in any other way transferred or communicated to any other party without the express written consent of an authorized representative of Cole Hersee Company.

- Special Characteristics:**
- Critical Characteristic, relating to Safety and/or Regulatory Compliance
 - Significant Characteristic relating to Process Control
 - Control Dimension relating to Form - Fit - Function as defined by Cole Hersee Company and/or the Customer

Cole Hersee Co.
 20 Old Colony Ave., South Boston, MA, 02127
 Phn: 617-268-2100 Web: www.colehersee.com

Description:
CONN, M, 6P, DEUTSCH