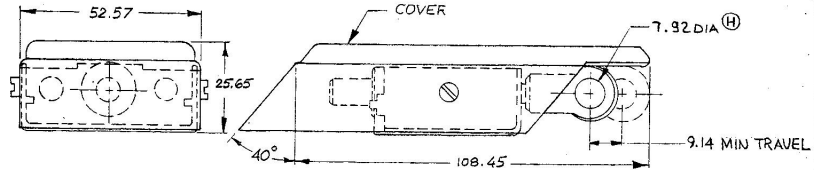
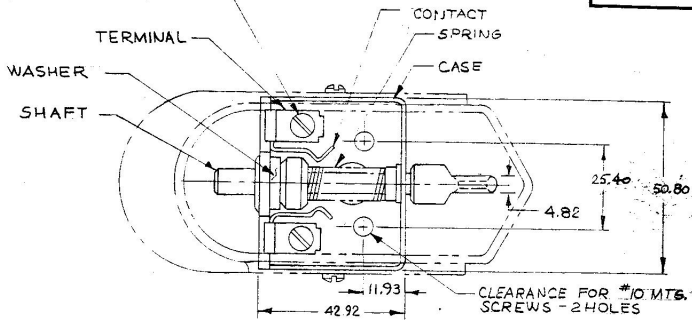


MM	IN
4.82	.19
7.92	.312
9.14	.36
11.93	.47
25.40	1.00
25.75	1.01
42.92	1.69
50.80	2.00
52.57	2.07
108.45	4.27

Confidential Property of Cole Hersee 40100

#8-32x $\frac{3}{16}$ LG. RD. HD. SCREWS



METRIC

NOTE: ALL PARTS MAY BE CAD PL. OR ZINC PL. CLEAR DICHROMATE DIP. DO NOT SCALE

LET	WAS	DATE	BY	LET	WAS	DATE	BY	MATERIAL	DRAWN	CHECKED	APPROV.	SCALE	DATE DRAWN
								—	RZ			1:1	3-1-65
								FINISH					DATE BLUEPRINT
				H	ECN 02317	10-7-02	ML	TOLERANCES	 SIGNAL SWITCH				40100
			G	REDRAWN	3-3-87	ZU	DECIMAL ±.010 METRIC ±.025						