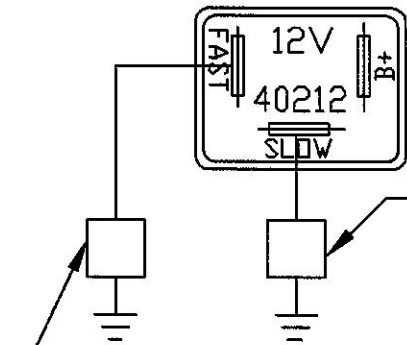


Revision Control Record

Rev.	Description of Change	ECN No.	Date
J	CHANGED HOLE DIA. 0.125	02016	01/18/02
K	ADD NOTE 6	06397	12/12/06

NOTES:

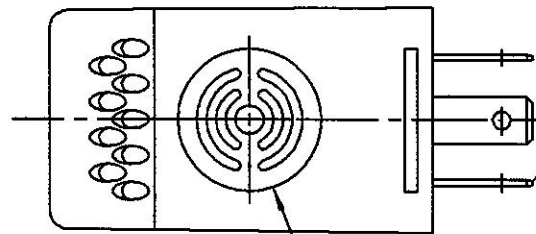
1. SOUND LEVEL 90 db MIN. AT 30.48 cm (1 FOOT)
2. SLOW RATE APPROX. 60 c.p.m.
3. FAST RATE APPROX. 120 c.p.m.
4. FREQUENCY APPROX. 4 KHz.
5. REVERSE POLARITY PROTECTED
6. ALL DIMENSIONS ARE REFERENCE ONLY UNLESS NOTED OTHERWISE



SENSOR SWITCH OR

(K)

SENSOR OR SWITCH

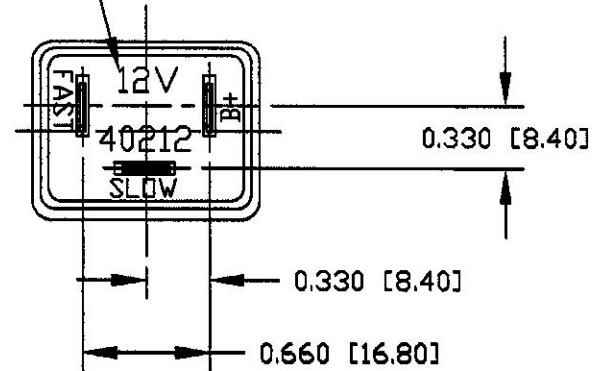
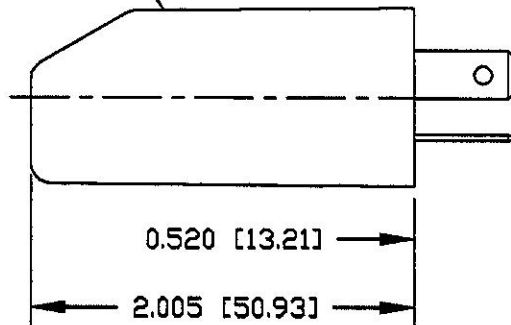
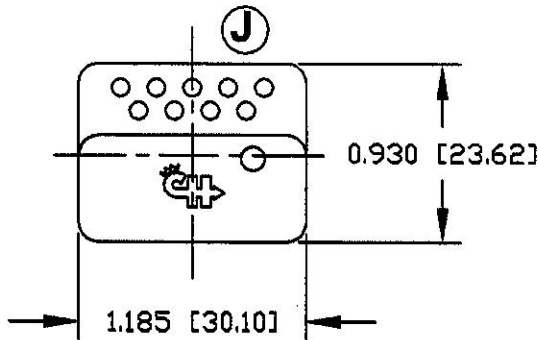


TERMINAL, MALE BLADE, 3PL, PATTERN TO ACCEPT PACKARD CONNECTOR 12033871

CASE, PLASTIC

INSERT, PLASTIC

TERMINAL INSULATOR, PLASTIC



Tolerances Unless otherwise specifically noted, the following are default tolerances:

- 2-place Decimal Dimensions $\pm .02^\circ$
- 3-place Decimal Dimensions $\pm .005^\circ$
- Angular Dimensions $\pm 1.0^\circ$
- Metric: Refer to equivalent English Dimension Tolerance
- NOTE: All tolerances are Non-Cumulative.

Dimensional Units All dimensions are expressed in inches except those shown in brackets (xxx) are expressed in millimeters

"REF." or an Asterisk (*) = Non-Toleranced Reference Dimension, shown for clarification purposes only.

PROPRIETARY INFORMATION This Engineering Drawing, and the information contained herein, is proprietary to Cole Horse Company and may not be disclosed, re-produced, or in any other way transferred or communicated to any other party without the express written consent of an authorized representative of Cole Horse Company.

DESIGN CONTROL It is the responsibility of the individual using / referencing this drawing to assure that the noted design revision level agrees with the revision level of the Controlled Document (Master Drawing). This is a NON-CONTROLLED DOCUMENT unless otherwise specifically noted.

DO NOT SCALE - Dimensional variation may occur during printing / reproduction.

Key for Special Characteristics:



Critical Characteristic, relating to Safety and/or Regulatory Compliance



Significant Characteristic relating to Process Control (SPC)



Control Dimension relating to Form - Fit - Function as defined by Cole Horse Company and/or the Customer

(Note that the identification of any Characteristics as being "Special" does not alter the requirement that ALL specified dimensions & tolerances must be met.)



Cole Horse Co.

20 Old Colony Ave., South Boston, MA, 02127
Phn: 617-365-2100 Web: www.colehorses.com

Description: DUAL RATE ALARM, 12V

Drawing / Part No.: 40212

Current Rev.:

K

Used On or Ref.: EX22718

Scale: 1:1

Drawn By: DPS

Date Drawn: 01/25/88

Responsible Engineer: XXXXX

Pg. 1 of 1