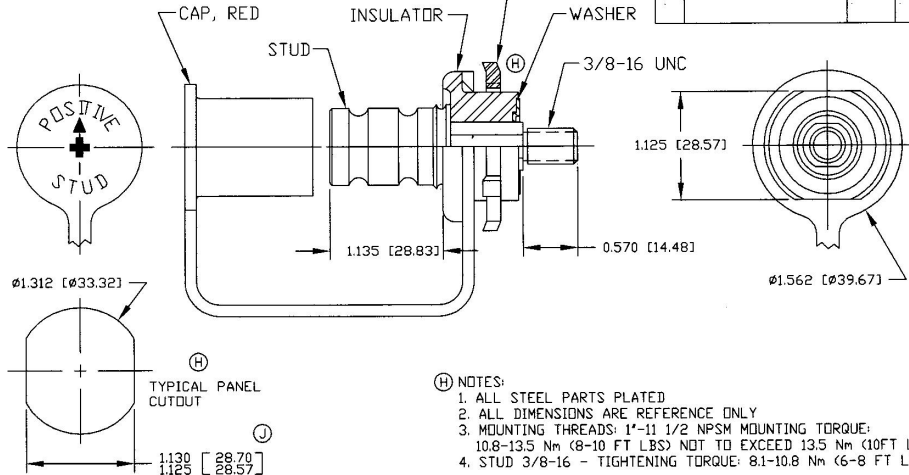


Revision Control Record

Rev.	Description of Change	ECN No.	Date
H	NOTES & VIEW	03189	5/29/03
J	DIMENSIONS & VIEW	03733	12/23/03

① 1"-11 1/2 NPSM
CONDUIT LOCKNUT
(POINTS TOWARD FLANGE)



④ NOTES:

1. ALL STEEL PARTS PLATED
2. ALL DIMENSIONS ARE REFERENCE ONLY
3. MOUNTING THREADS: 1"-11 1/2 NPSM MOUNTING TORQUE:
10.8-13.5 Nm (8-10 FT LBS) NOT TO EXCEED 13.5 Nm (10FT LBS)
4. STUD 3/8-16 - TIGHTENING TORQUE: 8.1-10.8 Nm (6-8 FT LBS)

Tolerances: Unless otherwise specifically noted, the following are default tolerances:

- * 2-place Decimal Dimensions ± 0.02 "
- ** 3-place Decimal Dimensions ± 0.005 "
- † Angular Dimensions ± 0.1 Deg.
- ‡ Metric: Refer to equivalent English Dimension Tolerance
- *** NOTE: All tolerances are Non-Cumulative. <<<

Dimensional Units: All dimensions are expressed in inches except those shown in brackets (xxx) are expressed in millimeters

REF. or an Identifier, etc. = Non-Toleranced Reference Dimension, shown for clarification purposes only.

PROPRIETARY INFORMATION: This Engineering Drawing, and the information contained herein, is proprietary to Cole Hersee Company and may not be disclosed, re-produced, or in any other way transmitted or communicated to any other party without the express written consent of an authorized representative of Cole Hersee Company.

DESIGN CONTROL: It is the responsibility of the individual using/referencing this drawing to ensure that the latest design revision level agrees with the revision level of the Controlled Document (Master Drawing). This is a NON-CONTROLLED DOCUMENT unless otherwise specifically noted.

DO NOT SCALE: Dimensional variation may occur during printing/reproduction.

Special Characteristics:



Critical Characteristic, relating to Safety and/or Regulatory Compliance



Significant Characteristic relating to Process Control (SPC)



Key Characteristic relating to Form - Function as defined by Cole Hersee Company and/or the Customer

(Note that the identification of any Characteristics as being "Special" does not alter the requirement that ALL specified dimensions & tolerances must be met.)

Cole Hersee Co.



20 Old Colony Ave., South Boston, MA, 02127
Phn 617-268-2100 Web www.colehersee.com

Description:

JUMPER STUD, POS.

Drawing/
Part No.:

46210-01

Current Rev.

J

Used On
or Ref: EX18810-D

Scale: **1:1**

Drawn
By: RMT

Date
Drawn: 6/20/80

Responsible
Engineer: SAM

Pg. 1 of 1