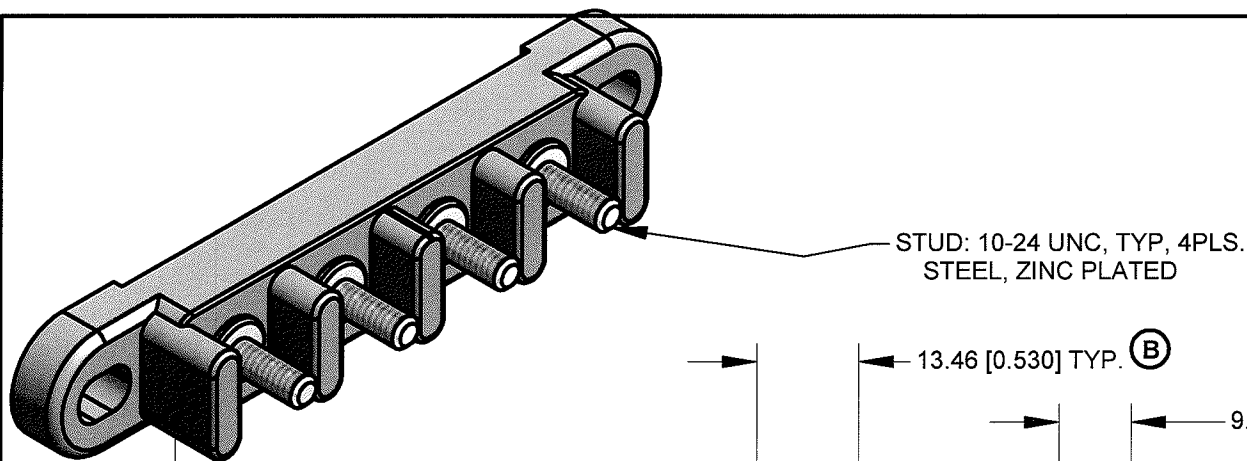
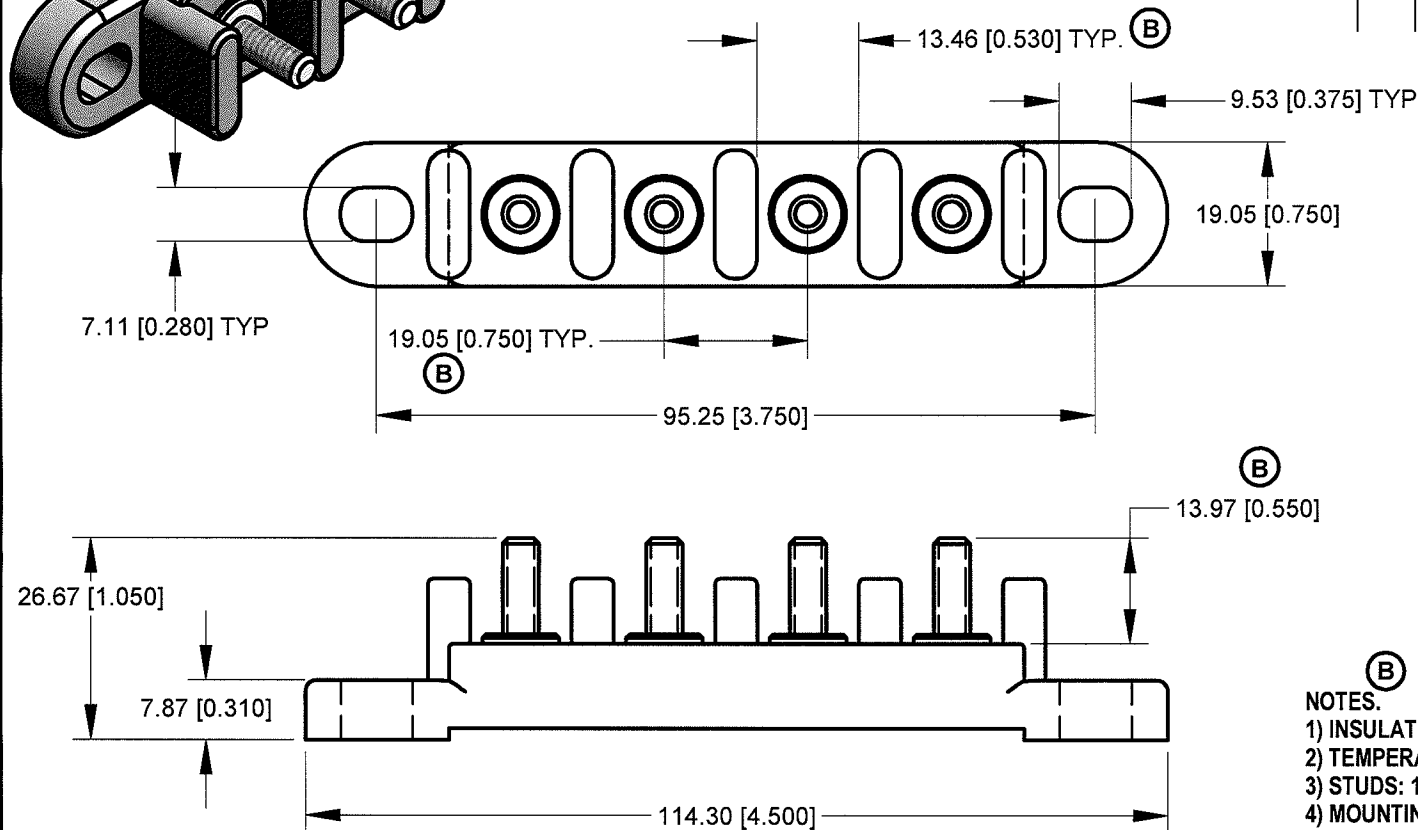


**Revision Control Record**

| Rev. | Description of Change | ECN No. | Date    |
|------|-----------------------|---------|---------|
| B    | UPDATED DRAWING TO 3D | 13094   | 3/20/13 |
|      |                       |         |         |
|      |                       |         |         |
|      |                       |         |         |



STUD: 10-24 UNC, TYP, 4PLS.  
STEEL, ZINC PLATED



- NOTES.**
- 1) INSULATOR MATERIAL: THERMOPLASTIC, BLACK
  - 2) TEMPERATURE RATING: 250°F (120°C)
  - 3) STUDS: 10-24; TORQUE RATING: 25 IN-Lbs (2.8 N.m) MAX.
  - 4) MOUNTING TORQUE SPEC: 24 IN-Lbs (2.7 N.m) MAX.
  - 5) ELECTRICAL RATING: 30A PER STUD; 600 VOLTS

**Note:** unless noted otherwise all dimension are **AFTER** plating  
**Tolerances** Unless otherwise specifically noted, the following are default tolerances;

|                       |                        |                |
|-----------------------|------------------------|----------------|
| <b>2-places</b>       | <b>3-places</b>        | <b>Angular</b> |
| <b>+/- 0.50[0.02]</b> | <b>+/- 0.13[0.005]</b> | <b>+/- 1°</b>  |

Unless otherwise specified dimensions are in millimeters  
Dimensions in brackets [ ] are in inches  
"REF" = Non-Toleranced Reference Dimension, shown for clarification purposes only.  
**NOTE: All tolerances are Non-Cumulative.**

**PROPRIETARY INFORMATION**  
All information contained herein, is proprietary to the Cole Hersee Company. Unauthorized use or reproduction is prohibited.

**Special Characteristics:**

- CC** Critical Characteristic, relating to Safety and/or Regulatory Compliance
- X** Significant Characteristic relating to Process Control
- CC** Control Dimension relating to Form - Fit - Function as defined by Cole Hersee Company and/or the Customer



**Littelfuse**<sup>®</sup>

Phn: 617-268-2100 Web: www.colehersee.com

Description: **TERMINAL BLOCK, 4P**

Drawing / Part No.:

**4758**

Current Rev.

**B**