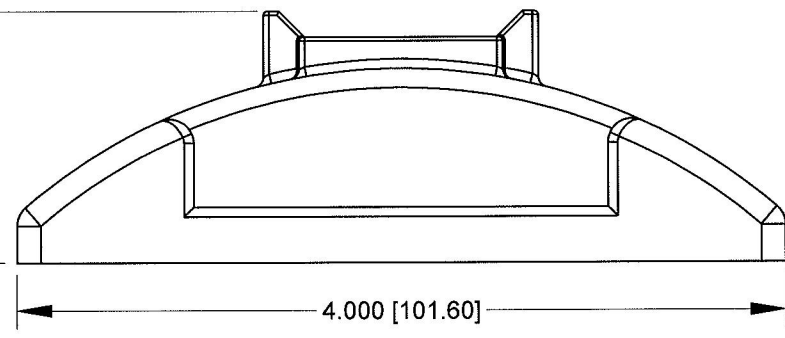
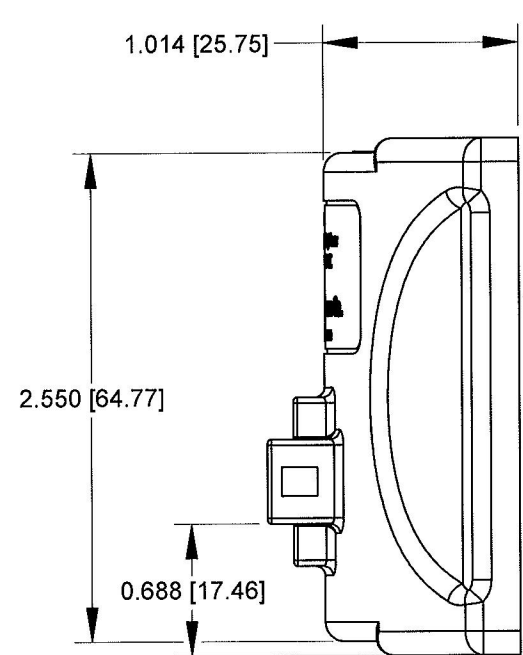
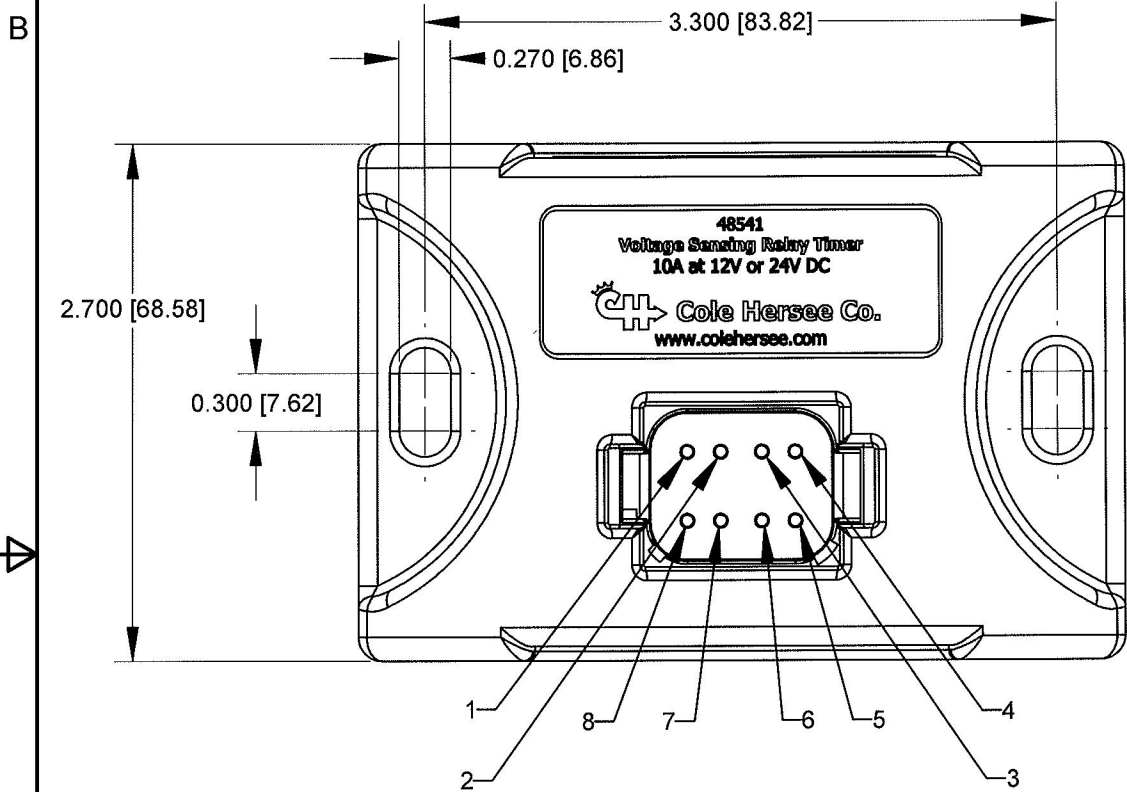
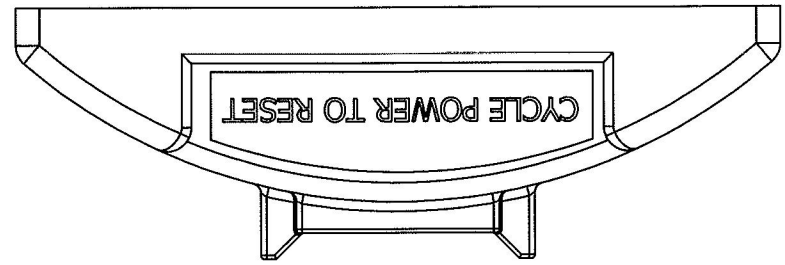


4 3 2 1



NOTES:

- ALL DIMENSIONS ARE REFERENCE ONLY
- SPECIFICATIONS:  
 OPERATING VOLTAGE: 9-32VDC  
 CURRENT RATING: COIL+ 10A AT 85°C  
 STATUS 0.2A AT 85°C  
 QUIESCENT CURRENT 2 mA MAX  
 OPERATING TEMPERATURE: -40°C TO 85°C  
 OVERCURRENT THRESHOLD: 12 - 17A (COIL+ ONLY)
- CONNECTOR PINOUT:  
 PIN1: KEYED IGNITION SOURCE  
 PIN2: GROUND (BATTERY-)  
 PIN3: COIL+/LOAD+  
 PIN4: BATTERY+  
 PIN5: UNUSED  
 PIN6: STATUS  
 PIN7: REDUNDANT GROUND (BATTERY-)  
 PIN8: REDUNDANT GROUND (BATTERY-)
- MATING CONNECTOR: DEUTSCH P/N DT06-08S
- MATING PINS: DEUTSCH P/N 0462-201-16141
- UNUSED PINS SHOULD BE SEALED WITH BLANKING PIN- DEUTSCH P/N: 114017
- ONLY ONE GROUND (BATTERY -) CONNECTION IS REQUIRED FOR PROPER OPERATION. ALL OTHER GROUNDS ARE REDUNDANT
- SEALED TO IP67 (PROVIDED BLANKING PINS USED)

Revision Control Record				Rev.	Description of Change	ECN No.	Date
Rev.	Description of Change	ECN No.	Date				
A	RELEASED DRAWING	09529	11/04/09				
B	ADDED VIEW & DIM	11111	4/20/11				

**Tolerances** Unless otherwise specifically noted, the following are default tolerances;  
**2-places**    **3-places**    **Angular**  
 +/- 0.02"    +/- 0.005"    +/- 1'  
 Metric: Shown in [ ] refers to equivalent English Dim Tol  
 "REF." or an Asterisk (\*) = Non-Toleranced Reference Dimension, shown for clarification purposes only.  
 NOTE: All tolerances are Non-Cumulative.

**PROPRIETARY INFORMATION** This Engineering Drawing, and the information contained herein, is proprietary to Cole Hersee Company and may not be disclosed, re-produced, or in any other way transferred or communicated to any other party without the express written consent of an authorized representative of Cole Hersee Company.

**Special Characteristics:**  
 Critical Characteristic, relating to Safety and/or Regulatory Compliance  
 Significant Characteristic relating to Process Control  
 Control Dimension relating to Form - Fit - Function as defined by Cole Hersee Company and/or the Customer

**Cole Hersee Co.**  
 20 Old Colony Ave., South Boston, MA, 02127  
 Phn: 617-268-2100 Web: www.colehersee.com

**Description: VOLTAGE SENSING RELAY TIMER**

Drawing / Part No.: **48541**      Current Rev.: **B**

FORM CHT-6 (2/07)    Used On or Ref.: **EX28647**    Scale: 1:1    Drawn By: **CN**    Date Drawn: **09/14/09**    Pg. 1 of 2

4 3 2 1