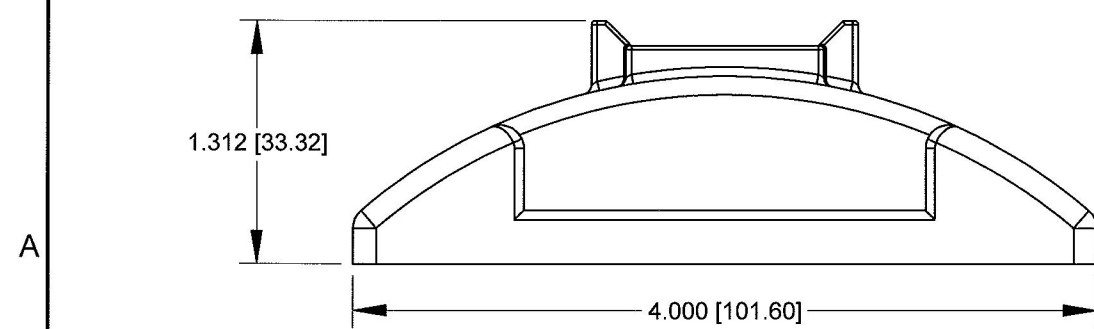
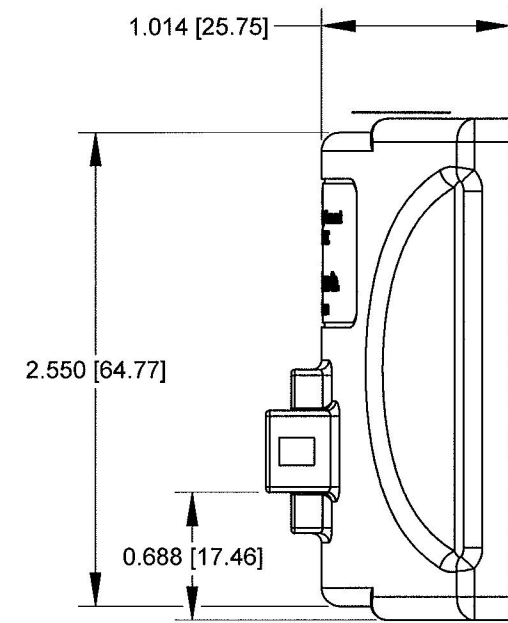
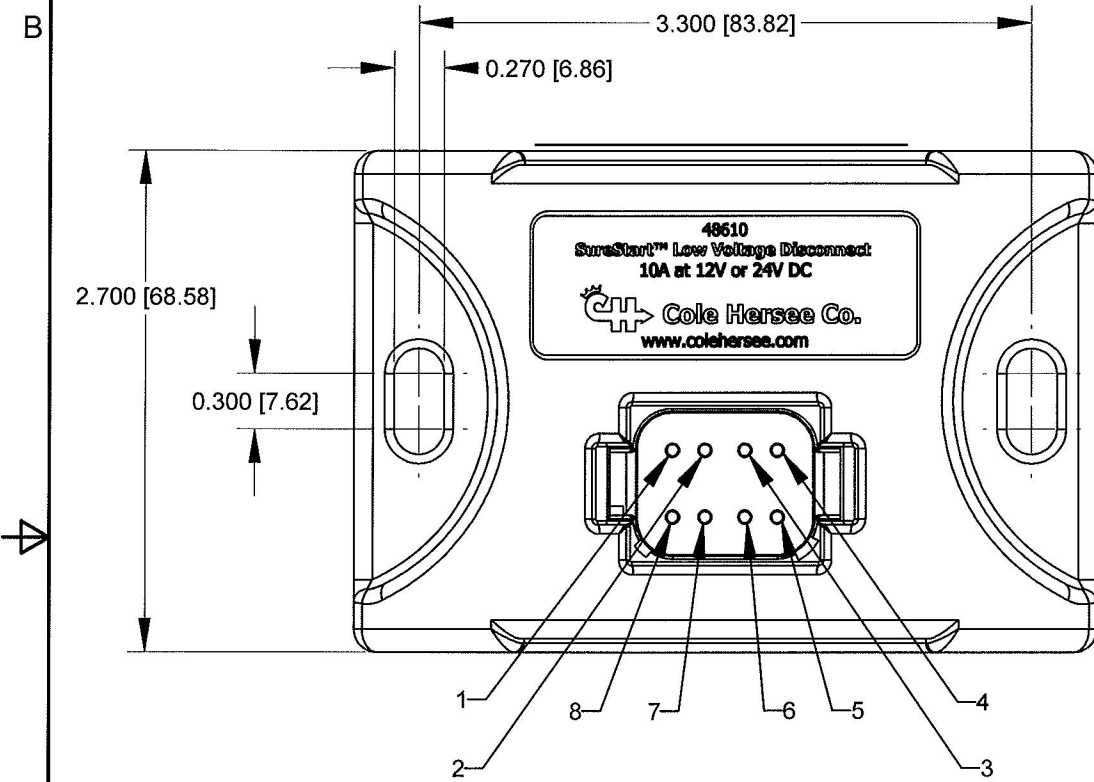
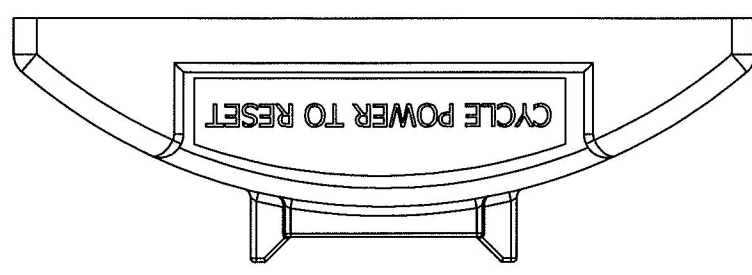


4 | 3 | 2 | 1



- NOTES: (C) (D)
- ALL DIMENSIONS ARE REFERENCE ONLY
  - SPECIFICATIONS: (24V OPERATION IN PARENTHESIS)  
 OPERATING VOLTAGE: 9-32VDC  
 CURRENT RATING: 10A CONTINUOUS AT 85°C  
 OPERATING TEMPERATURE: -40°C TO 85°C  
 OVERCURRENT THRESHOLD: 12 - 17A
  - CONNECTOR PINOUT:  
 PIN1: NOT USED  
 PIN2: GROUND (BATTERY-)  
 PIN3: LOAD+  
 PIN4: BATTERY+  
 PIN5: OVERRIDE  
 PIN6: LED/ALARM  
 PIN7: REDUNDANT GROUND (BATTERY-)  
 PIN8: REDUNDANT GROUND (BATTERY-)
  - MATING CONNECTOR: DEUTSCH P/N DT06-08S
  - MATING PINS: DEUTSCH P/N 0462-201-16141
  - UNUSED PINS SHOULD BE SEALED WITH BLANKING PIN- DEUTSCH P/N: 114017
  - ONLY ONE GROUND (BATTERY -) CONNECTION IS REQUIRED FOR PROPER OPERATION. ALL OTHER GROUNDS ARE REDUNDANT
  - SEALED TO IP67 (PROVIDED BLANKING PINS USED)

| Revision Control Record |                               |         |          | Rev. | Description of Change | ECN No. | Date     | Tolerances Unless otherwise specifically noted, the following are default tolerances:                  |            |         | PROPRIETARY INFORMATION This Engineering Drawing, and the information contained herein, is proprietary to Cole Hersee Company and may not be disclosed, re-produced, or in any other way transferred or communicated to any other party without the express written consent of an authorized representative of Cole Hersee Company.                         |  |  | Special Characteristics:              |  |  | Cole Hersee Co.<br>20 Old Colony Ave., South Boston, MA, 02127<br>Phn: 617-268-2100 Web: www.colehersee.com |  |  |
|-------------------------|-------------------------------|---------|----------|------|-----------------------|---------|----------|--|------------|---------|---|--|--|---------------------------------------|--|--|---|--|--|
| Rev.                    | Description of Change         | ECN No. | Date     | E    | CHANGE BOM            | 10004   | 01/19/10 | 2-places   | 3-places   | Angular | <input checked="" type="checkbox"/> Critical Characteristic, relating to Safety and/or Regulatory Compliance<br><input checked="" type="checkbox"/> Significant Characteristic relating to Process Control<br><input checked="" type="checkbox"/> Control Dimension relating to Form - Fit - Function as defined by Cole Hersee Company and/or the Customer |  |  | Description:<br><b>LVD, MINI, 10A</b> |  |  |   |  |  |
| A                       | RELEASED DRAWING              | 08163   | 03-14-08 | F    | ADD NEW PART          | 10054   | 02/10/10 | +/- 0.02"  | +/- 0.005" | +/- 1°  |   |  |  |                                       |  |  | Drawing / Part No.: (B) 48610   |  |  |
| B                       | CHANGE DWG NUMBER             | 08309   | 05/28/08 | G    | ADDED VIEW & DIMS     | 11112   | 4/20/11  | Metric: Shown in [ ] refers to equivalent English Dim Tol  |            |         |   |  |  |                                       |  |  | Current Rev. G  |  |  |
| C                       | CHANGED NOTES                 | 09060   | 01/19/09 |      |                       |         |          | "REF." or an Asterisk (*) = Non-Toleranced Reference Dimension, shown for clarification purposes only. |            |         |   |  |  |                                       |  |  |   |  |  |
| D                       | ADDED SHEET 2. UPDATED NOTE 2 | 09188   | 03/18/09 |      |                       |         |          | NOTE: All tolerances are Non-Cumulative.   |            |         | FORM CHT-6 (2/07) Used On or Ref.: EX28439A Scale: 1:1 Drawn By: CN Date Drawn: 03-13-08 Pg. 1 of 2   |  |  |                                       |  |  |   |  |  |

4 | 3 | 2 | 1